



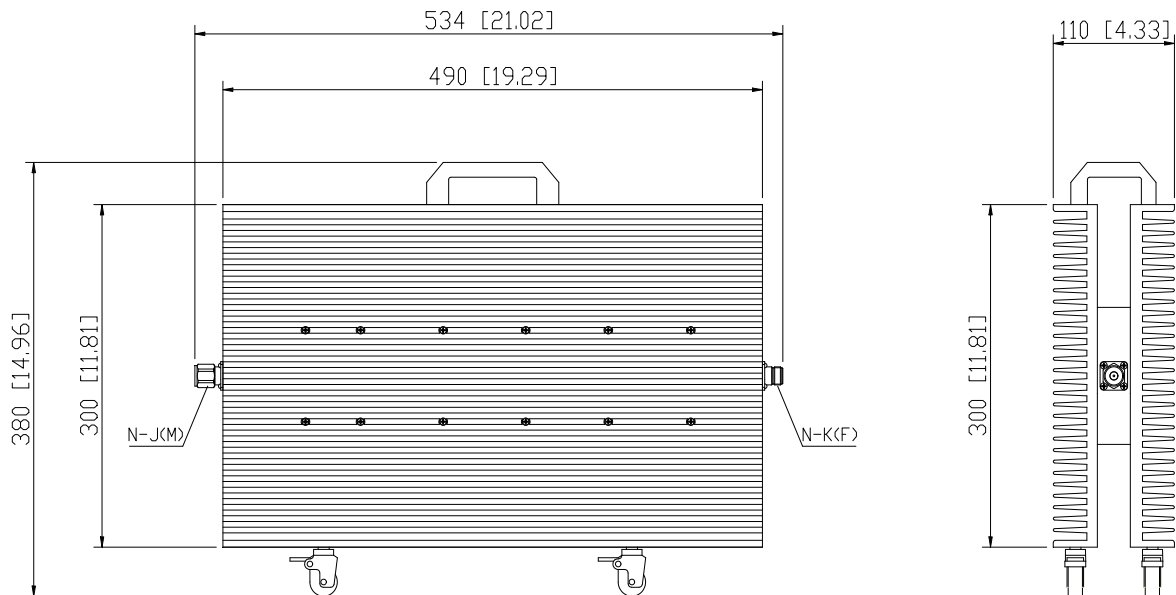
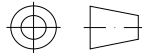
## Coaxial Attenuator

国军标: GJB 9001C-2017: 02618J31190R0S  
质量体系: ISO 9001:2015: 02618Q31284R0S

### Features and Electrical specifications:

Model	ATXXFA1000A-N-3
Frequency Range	DC-3.0GHz
VSWR	1.35Max
Power	1000 W
Impedance	50 $\Omega$
Attenuation	30、40、50dB
Attenuation Tolerance	$\pm 3.0$ dB
Connector	N-J(M)/ N-K(F)
Dimension	110 $\times$ 380 $\times$ 534mm
Operating Temperature	-55 ~ +125 $^{\circ}$ C (See de Power De-rating)
Weight	About 17.5 Kg
ROHS Compliant	Yes

### Outline Drawing (Unit: mm/inch):



**RFTYT Technology Co., LTD.**

<http://www.rftyt.com>

E-mail: Jackson@rftyt.com      zqc7708@rftyt.com

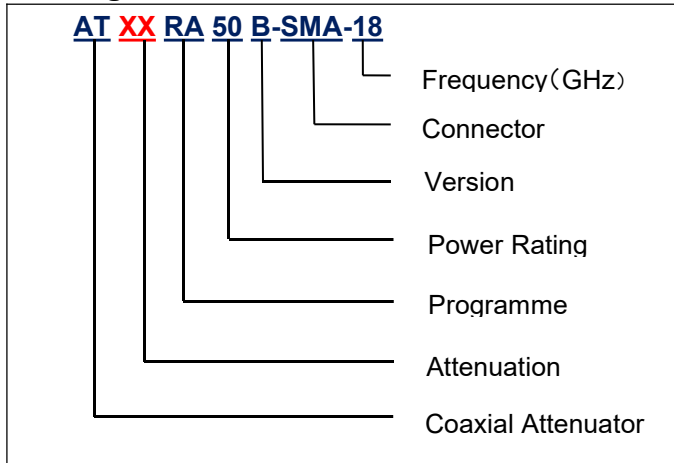
TEL: +86-13088268828      FAX: +86-816-2846565

218# Wenwu Middle Road, Jinkai District, Mianyang, Sichuan Province China

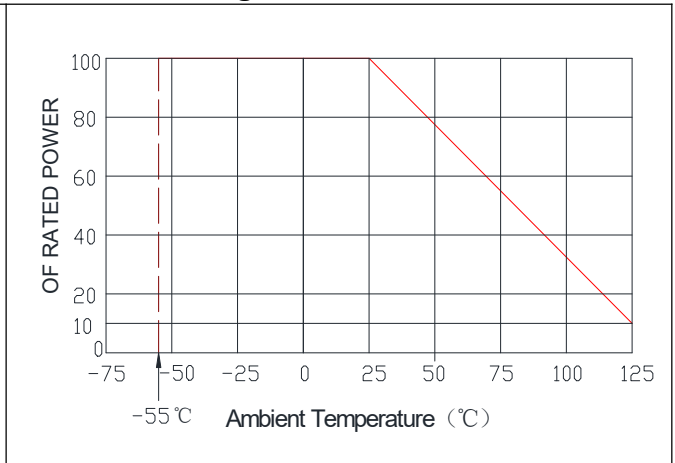
**Ready For Tackling Your Trouble**



**Naming rules:**

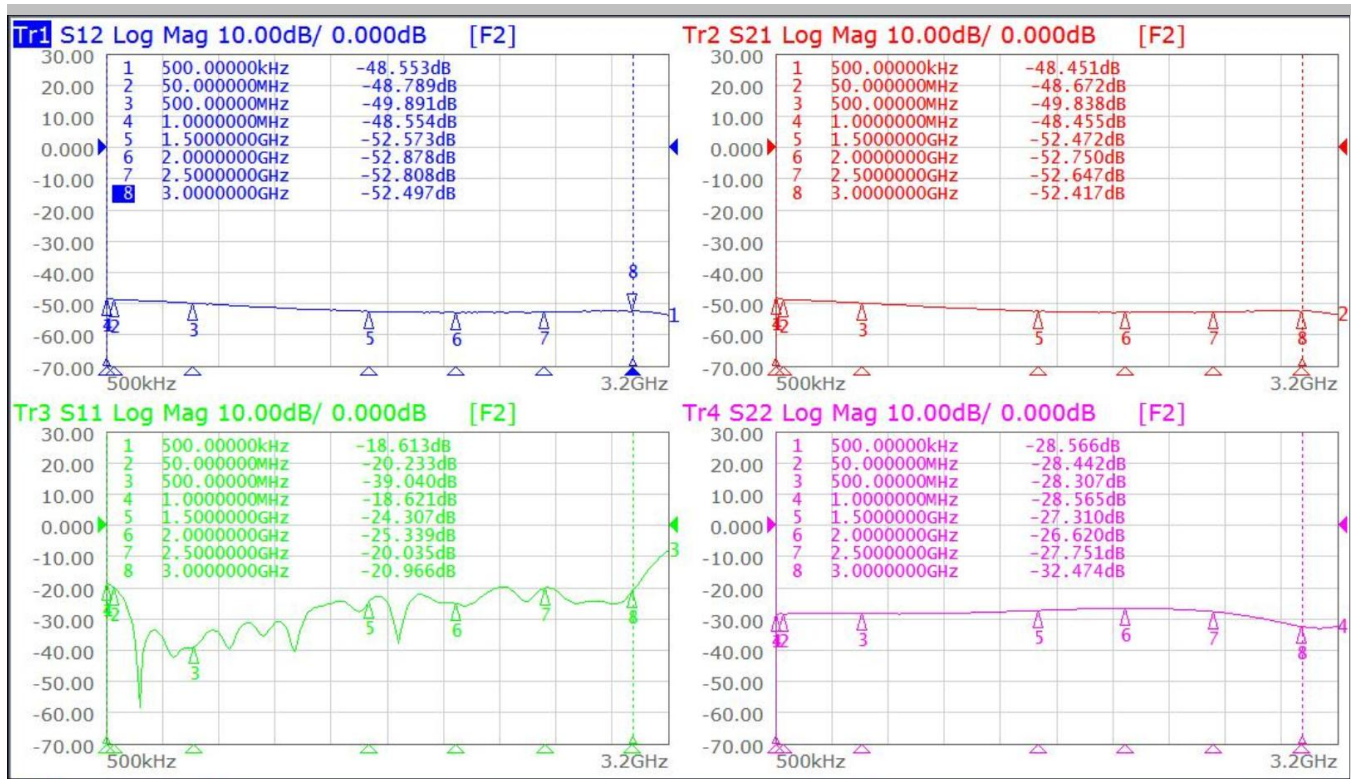


**Power De-rating:**



**Graph:**

50dB



**Use attention:**

- 1、Dimensions Tolerance  $\pm 3\%$ ;
- 2、If necessary, the product shall be air-cooled for auxiliary heat dissipation ;
- 3、Custom designs available of other special attenuators ;
- 4、Pay attention to the direction of the product during use and strictly prohibit reverse connection.