

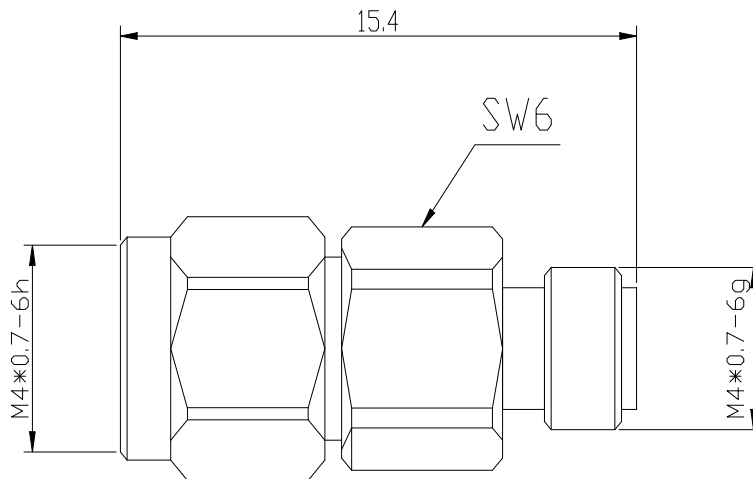
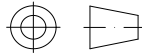


Coaxial Attenuator

Features and Electrical specifications:

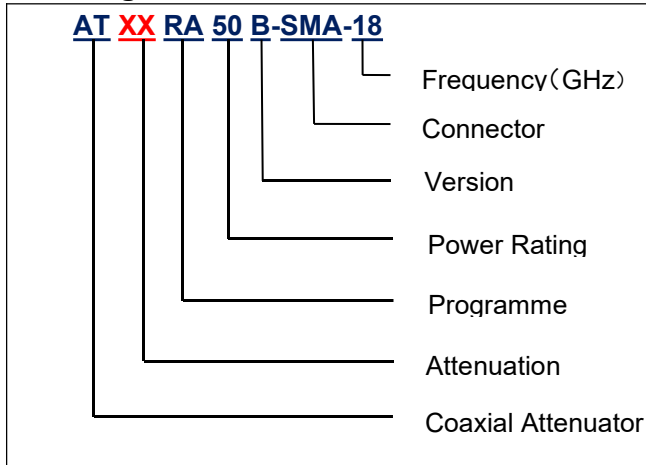
Model	ATXXRA01A-1.0-110		
Frequency Range	DC~110.0GHz		
VSWR	1.60 Max		
Power	1 W		
Impedance	50 Ω		
Attenuation	3dB	6dB	10dB
Attenuation Tolerance	-1.0 dB /+2.0 dB	-1.0 dB /+2.0 dB	-1.0 dB /+2.0 dB
Connector	1.0-J(M)/1.0-K(F)		
Dimension	$\Phi 6.0 \times 15.4$ mm		
Operating Temperature	-55 ~ +125°C (See de Power De-rating)		
Weight	About 5 g		
ROHS Compliant	Yes		

Outline Drawing (Unit: mm/inch):

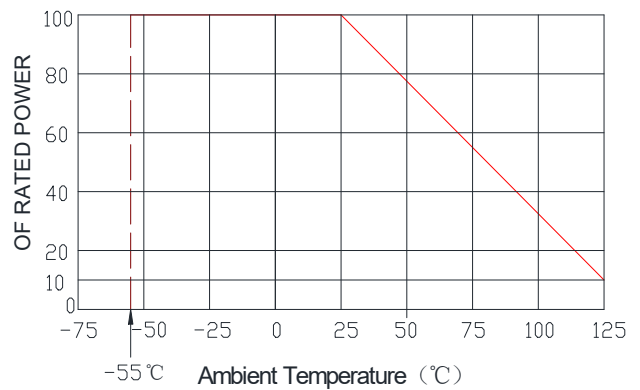




Naming rules:



Power De-rating:



Use attention:

- 1、 Dimensions Tolerance $\pm 3\%$;
- 2、 If necessary, the product shall be air-cooled for auxiliary heat dissipation ;
- 3、 Custom designs available of other special attenuators ;
- 4、 Pay attention to the direction of the product during use and strictly prohibit reverse connection。