

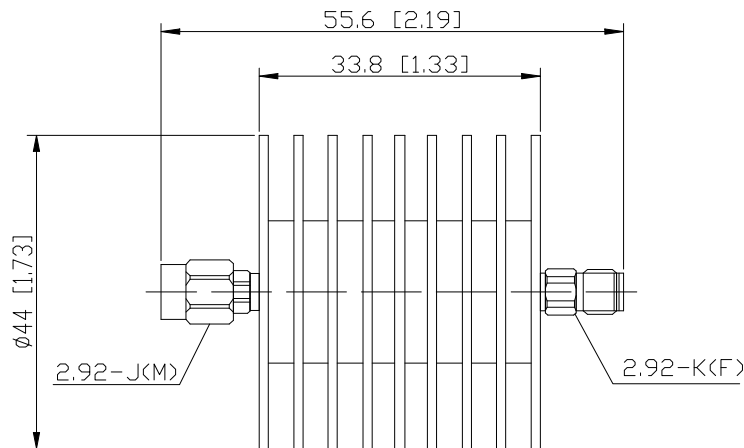
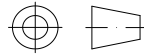


Coaxial Attenuator

Features and Electrical specifications:

Model	ATXXRA20A-2.92-40			
Frequency Range	DC~40.0GHz			
VSWR	1.30Max			
Power	20 W			
Impedance	50 Ω			
Attenuation	3-10dB	15dB	20dB	30dB
Attenuation Tolerance	± 1.5 dB	± 1.5 dB	± 1.5 dB	± 1.5 dB
Connector	2.92-J(M)/2.92-K(F)			
Dimension	$\Phi 44.0 \times 55.6$ mm			
Operating Temperature	-55 ~ +125°C (See de Power De-rating)			
Weight	About 65 g			
ROHS Compliant	Yes			

Outline Drawing (Unit: mm/inch):

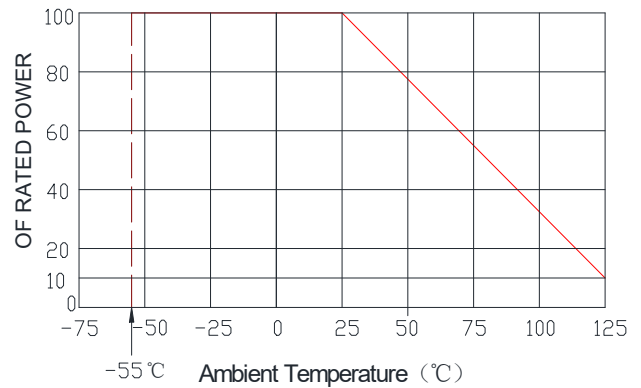




Naming rules:



Power De-rating:



Use attention:

- 1、 Dimensions Tolerance $\pm 3\%$;
- 2、 If necessary, the product shall be air-cooled for auxiliary heat dissipation ;
- 3、 Custom designs available of other special attenuators ;
- 4、 Pay attention to the direction of the product during use and strictly prohibit reverse connection。