

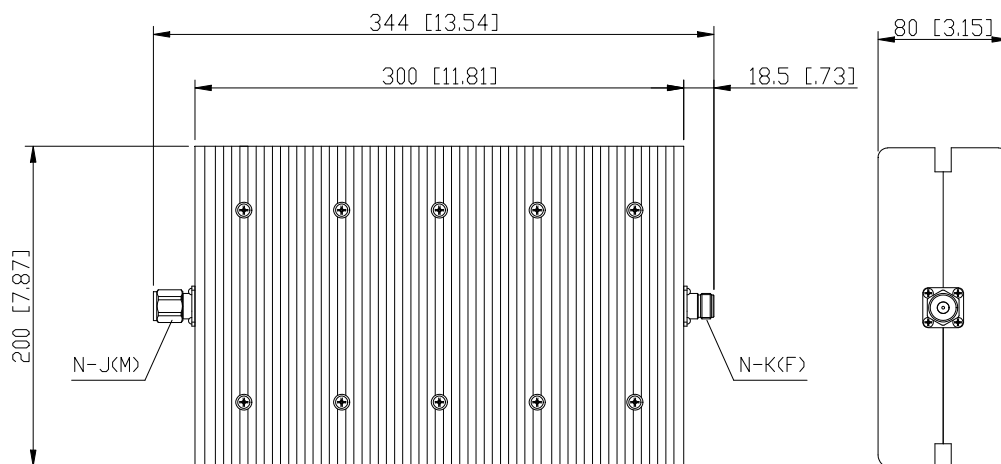
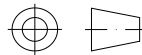


## Coaxial Attenuator

### Features and Electrical specifications:

Model	ATXXFA300B-N-4			
Frequency Range	DC-4.0GHz			
VSWR	1.25Max			
Power	300 W			
Impedance	50 $\Omega$			
Attenuation	10dB	20dB	30dB	40dB
Attenuation Tolerance	$\pm 0.8$ dB	$\pm 1.0$ dB	$\pm 1.0$ dB	$\pm 1.2$ dB
Connector	N-J(M)/N-K(F)			
Dimension	80×200×344mm			
Operating Temperature	-55 ~ +125°C (See de Power De-rating)			
Weight	About 6.1 Kg			
ROHS Compliant	Yes			

### Outline Drawing (Unit: mm/inch):

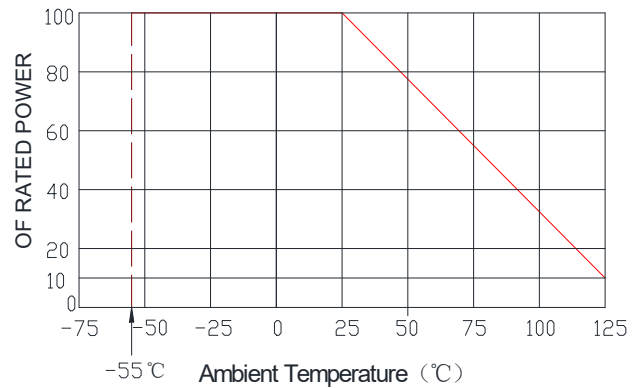




**Naming rules:**



**Power De-rating:**



**Use attention:**

- 1、Dimensions Tolerance  $\pm 3\%$ ;
- 2、If necessary, the product shall be air-cooled for auxiliary heat dissipation ;
- 3、Custom designs available of other special attenuators ;
- 4、Pay attention to the direction of the product during use and strictly prohibit reverse connection。