

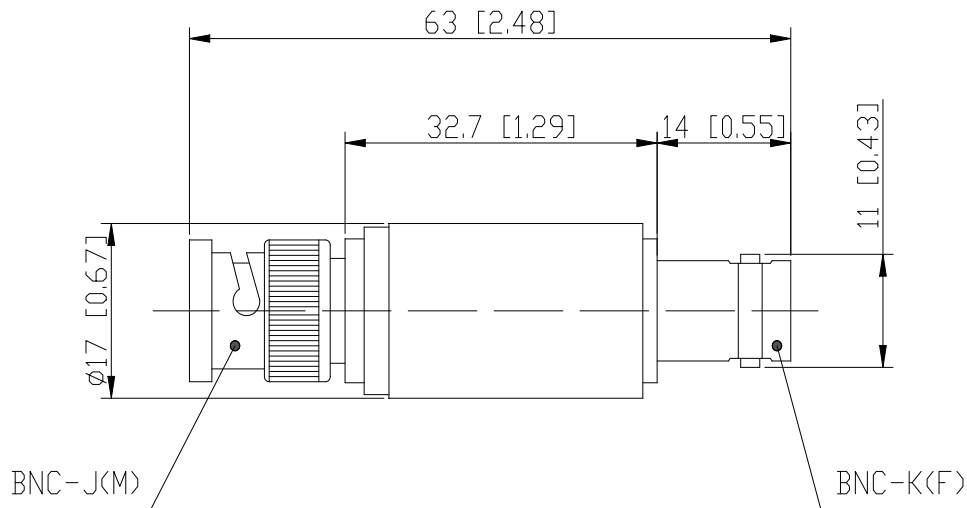
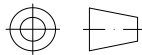


Coaxial Attenuator

Features and Electrical specifications:

Model	ATXXRF02A-BNC-4		
Frequency Range	DC~4.0GHz		
VSWR	1.25 Max		
Power	2 W		
Impedance	50 Ω		
Attenuation	1-10dB	11-20dB	21-30dB
Attenuation Tolerance	±0.6dB	±0.8dB	±1.0dB
Connector	BNC-J(M)/BNC-K(F)		
Dimension	Φ17×63mm		
Operating Temperature	-55 ~ +125°C (See de Power De-rating)		
Weight	About 64 g		
ROHS Compliant	Yes		

Outline Drawing (Unit: mm/inch):



RFTYT Technology Co., LTD.

<http://www.rfyt.com>

E-mail: Jackson@rfyt.com zqc7708@rfyt.com

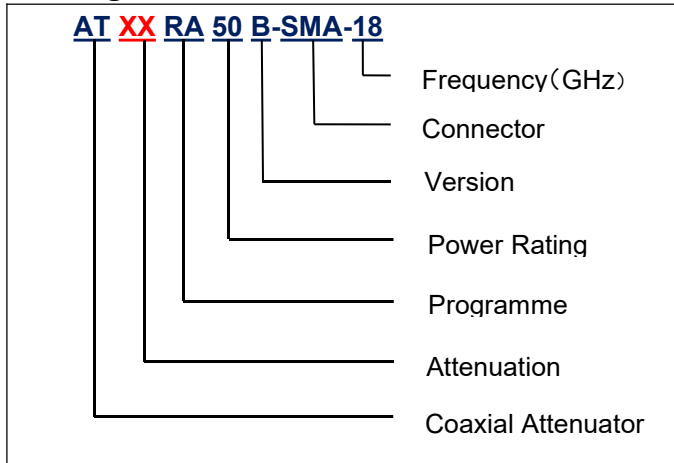
TEL: +86-13088268828 FAX: +86-816-2846565

218# Wenwu Middle Road, Jinkai District, Mianyang, Sichuan Province China

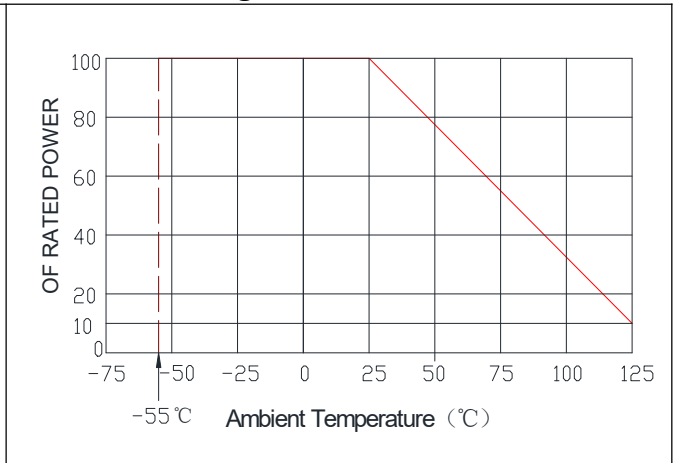
Ready For Tackling Your Trouble



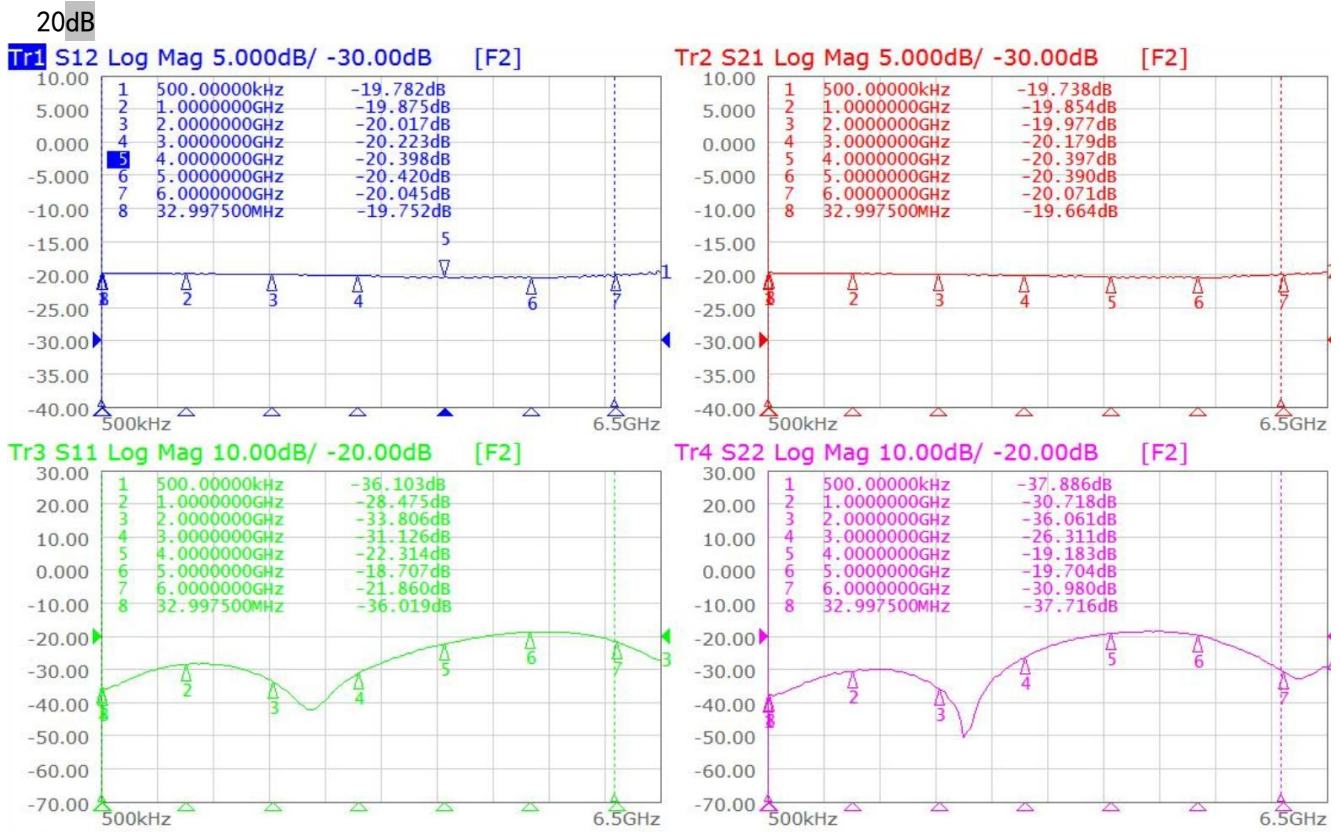
Naming rules:



Power De-rating:



Graph:



Use attention:

- 1、Dimensions Tolerance $\pm 3\%$;
- 2、If necessary, the product shall be air-cooled for auxiliary heat dissipation ;
- 3、Custom designs available of other special attenuators ;
- 4、Pay attention to the direction of the product during use and strictly prohibit reverse connection.