

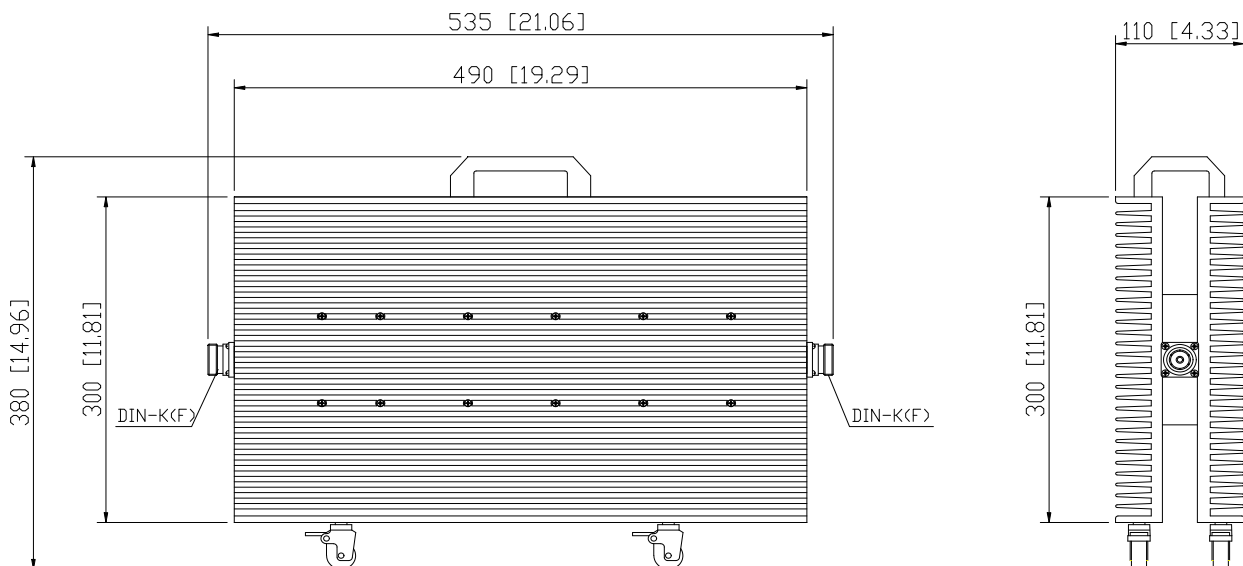


Coaxial Attenuator

Features and Electrical specifications:

Model	ATXXFA1000A-DINK-3
Frequency Range	DC-3.0GHz
VSWR	1.45Max
Power	500 W
Impedance	50 Ω
Attenuation	30、40、50dB
Attenuation Tolerance	±3.5dB
Connector	DIN-K(F)/ DIN-K(F)
Dimension	110×380×535mm
Operating Temperature	-55 ~ +125°C (See de Power De-rating)
Weight	About 17.6 Kg
ROHS Compliant	Yes

Outline Drawing (Unit: mm/inch):



RFTYT Technology Co., LTD.

<http://www.rfyt.com>

E-mail: Jackson@rfyt.com zqc7708@rfyt.com

TEL: +86-13088268828 FAX: +86-816-2846565

218# Wenwu Middle Road, Jinkai District, Mianyang, Sichuan Province China

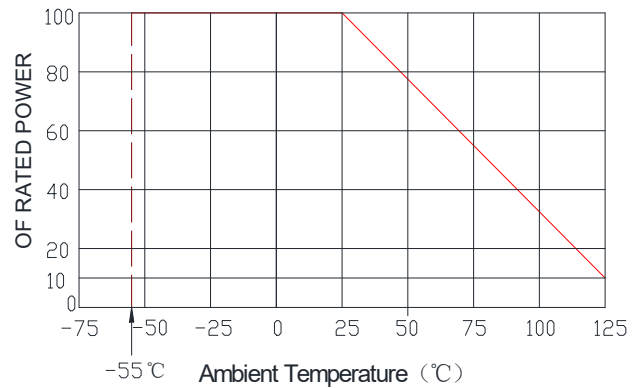
Ready For Tackling Your Trouble



Naming rules:



Power De-rating:



Use attention:

- 1、 Dimensions Tolerance $\pm 3\%$;
- 2、 If necessary, the product shall be air-cooled for auxiliary heat dissipation ;
- 3、 Custom designs available of other special attenuators ;
- 4、 Pay attention to the direction of the product during use and strictly prohibit reverse connection。