

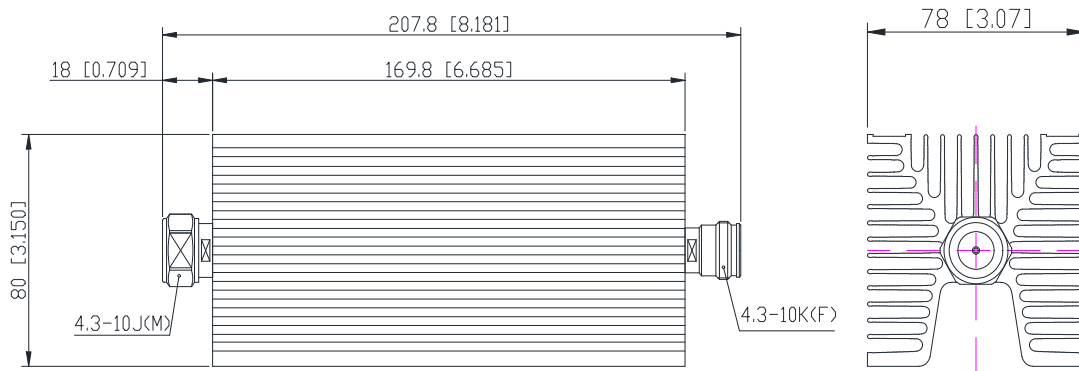
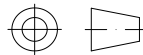


Coaxial Attenuator

Features and Electrical specifications:

| | | | | |
|-----------------------|---------------------------------------|---------|---------|---------|
| Model | ATXXFA150A-4310-6 | | | |
| Frequency Range | DC-6.0GHz | | | |
| VSWR | 1.30Max | | | |
| Power | 150 W | | | |
| Impedance | 50 Ω | | | |
| Attenuation | 01-10dB | 11-20dB | 21-30dB | 40/50dB |
| Attenuation Tolerance | ±0.8dB | ±1.0dB | ±1.0dB | ±1.2dB |
| Connector | 4.3-10-J(M)/4.3-10-K(F) | | | |
| Dimension | 78×80x207.8mm | | | |
| Operating Temperature | -55 ~ +125°C (See de Power De-rating) | | | |
| Weight | About 1.27 Kg | | | |
| ROHS Compliant | Yes | | | |

Outline Drawing (Unit: mm/inch):

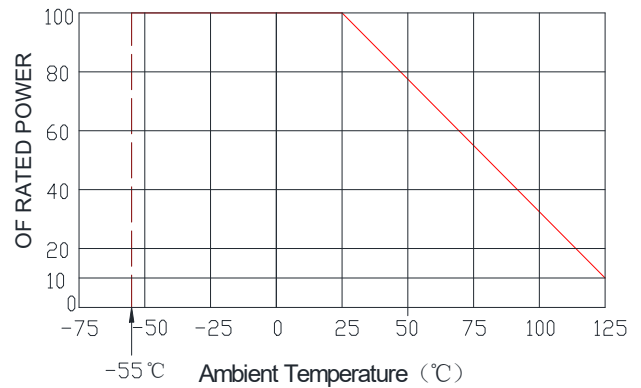




Naming rules:



Power De-rating:



Use attention:

- 1、 Dimensions Tolerance $\pm 3\%$;
- 2、 If necessary, the product shall be air-cooled for auxiliary heat dissipation ;
- 3、 Custom designs available of other special attenuators ;
- 4、 Pay attention to the direction of the product during use and strictly prohibit reverse connection。