

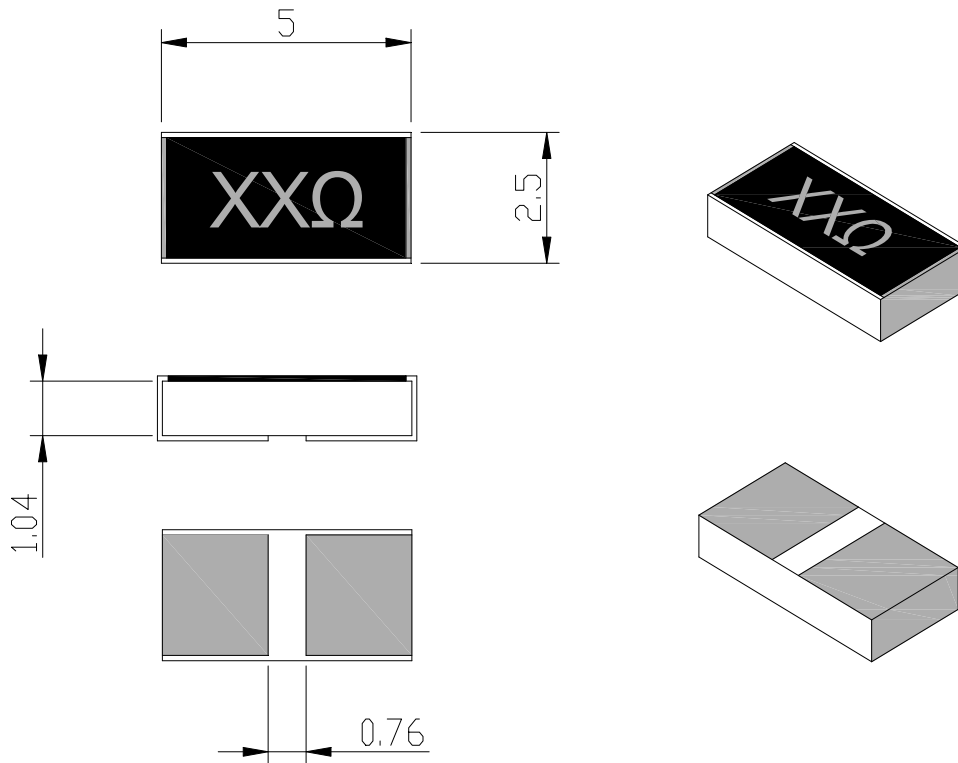
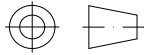


Chip Resistor

Features and Electrical specifications:

| | |
|-------------------------|--|
| Model | RFTXX-20CR2550TA |
| Power | 20 W |
| Resistance | XX Ω ~(10~3000Ω Customizable) |
| Resistance Tolerance | ±5% |
| Temperature Coefficient | <150ppm/°C |
| Substrate | BeO |
| Resistive Element | Thick Film |
| Operating Temperature | -55 to +150°C (See de Power De-rating) |

Outline Drawing (Unit: mm) :



RFTYT Technology Co., LTD.

<http://www.rftyt.com>

E-mail: jackson@rftyt.com

zqc7708@rftyt.com

TEL: +86-13088268828

FAX: +86-816-2846565

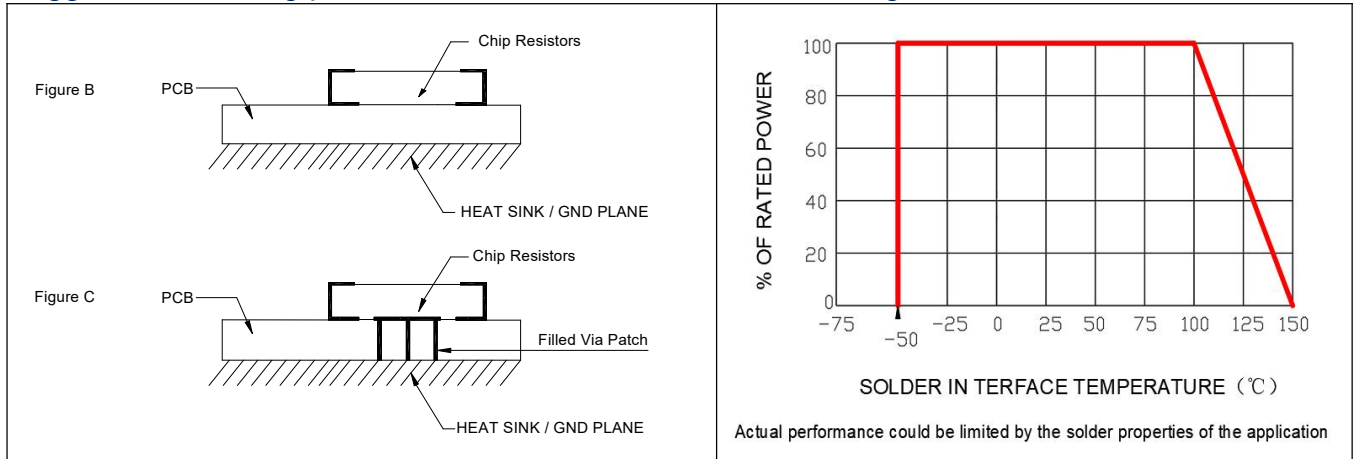
218# Wenwu Middle Road, Jinkai District, Mianyang, Sichuan Province China

Ready For Tackling Your Trouble

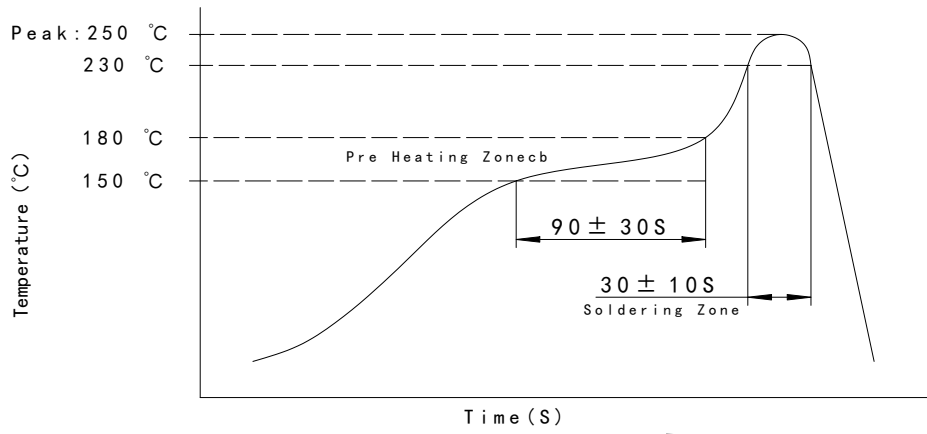


Suggested mounting procedures:

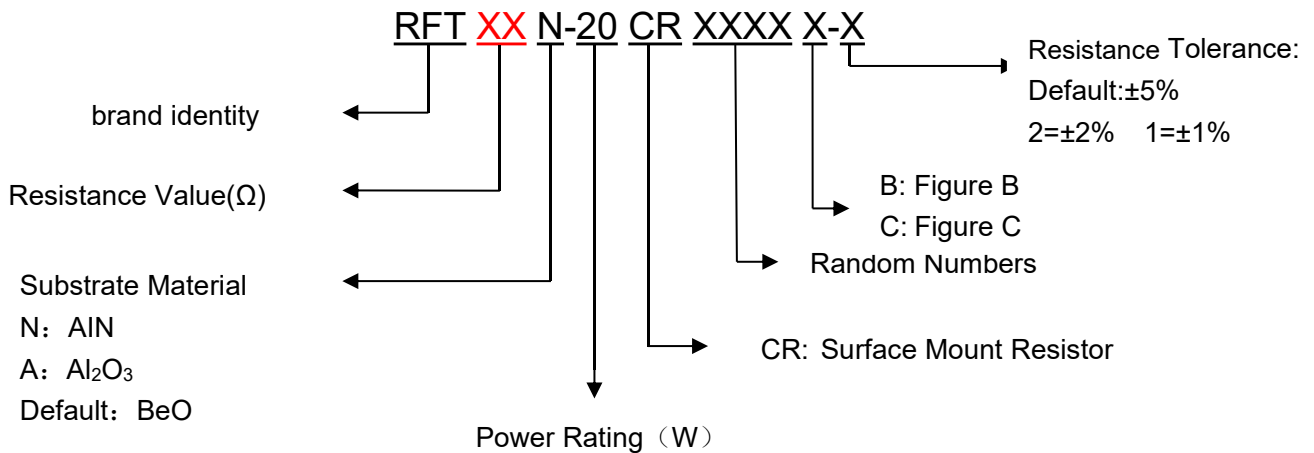
Power De-rating:



Reflow Profile:



P/N Designation:





Use attention:

■ After the storage period of newly purchased parts exceeds 6 months, attention shall be paid to the weldability before use. It is recommended to store after vacuum packaging.

■ Drill thermal vias through PCB and fill with solder.

■ Reflow welding is preferred for welding, see Reflow curve

■ In order to meet the requirements of the drawing, a radiator of sufficient size must be installed.

■ If necessary, add air cooling or water cooling.

Explain:

■ Custom designs available RF Attenuators and RF Resistors and RF Terminations.