

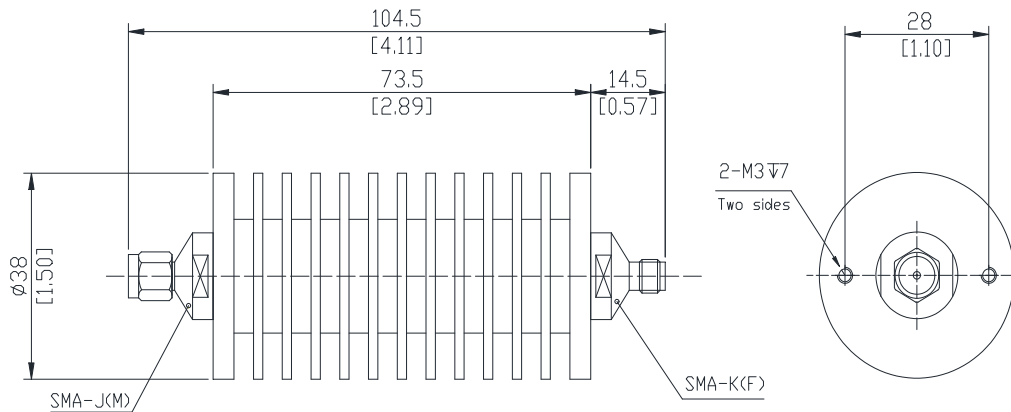
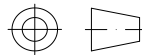


## Coaxial Attenuator

### Features and Electrical specifications:

Model	ATXXRA50B-SMA-6			
Frequency Range	DC~6.0GHz			
VSWR	1.25Max			
Power	50 W			
Impedance	50 $\Omega$			
Attenuation	01-10dB	11-20dB	25、30、40dB	50、60dB
Attenuation Tolerance	$\pm 0.6$ dB	$\pm 0.8$ dB	$\pm 1.0$ dB	$\pm 1.2$ dB
Connector	SMA-J(M)/SMA-K(F)			
Dimension	$\Phi 38 \times 104.5$ mm			
Operating Temperature	-55 ~ +125°C (See de Power De-rating)			
Weight	About 200 g			
ROHS Compliant	Yes			

### Outline Drawing (Unit: mm/inch):



**RFTYT Technology Co., LTD.**

<http://www.rfyt.com>

E-mail: Jackson@rfyt.com      zqc7708@rfyt.com

TEL: +86-13088268828      FAX: +86-816-2846565

218# Wenwu Middle Road, Jinkai District, Mianyang, Sichuan Province China

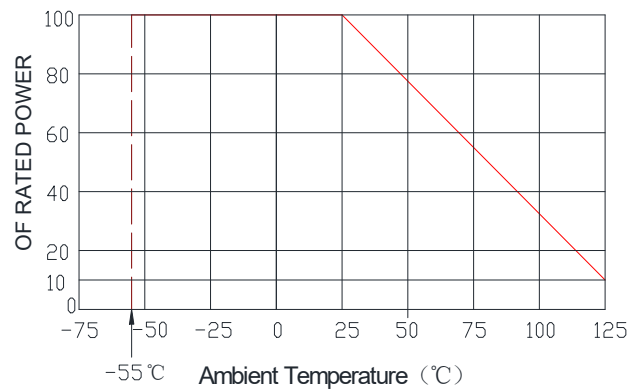
**Ready For Tackling Your Trouble**



**Naming rules:**



**Power De-rating:**



**Use attention:**

- 1、 Dimensions Tolerance  $\pm 3\%$ ;
- 2、 If necessary, the product shall be air-cooled for auxiliary heat dissipation ;
- 3、 Custom designs available of other special attenuators ;
- 4、 Pay attention to the direction of the product during use and strictly prohibit reverse connection。