

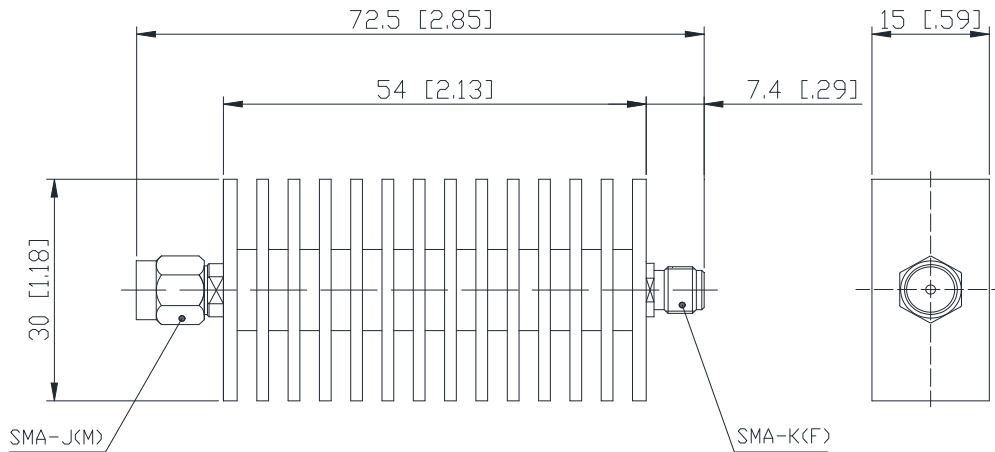
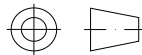


Coaxial Attenuator

Features and Electrical specifications:

Model	ATXXFA30A-SMA-6		
Frequency Range	DC~6.0GHz		
VSWR	1.25Max		
Power	30 W		
Impedance	50 Ω		
Attenuation	01-10dB	11-20dB	21-30dB
Attenuation Tolerance	± 0.6 dB	± 0.8 dB	± 1.0 dB
Connector	SMA-J(M)/SMA-K(F)		
Dimension	15*30*72.5mm		
Operating Temperature	-55 ~ +125°C (See de Power De-rating)		
Weight	About 15 g		
ROHS Compliant	Yes		

Outline Drawing (Unit: mm/inch):



RFTYT Technology Co., LTD.

<http://www.rfyt.com>

E-mail: Jackson@rfyt.com zqc7708@rfyt.com

TEL: +86-13088268828 FAX: +86-816-2846565

218# Wenwu Middle Road, Jinkai District, Mianyang, Sichuan Province China

Ready For Tackling Your Trouble



Naming rules:



Power De-rating:



Use attention:

- 1、 Dimensions Tolerance $\pm 3\%$;
- 2、 If necessary, the product shall be air-cooled for auxiliary heat dissipation ;
- 3、 Custom designs available of other special attenuators ;
- 4、 Pay attention to the direction of the product during use and strictly prohibit reverse connection。