

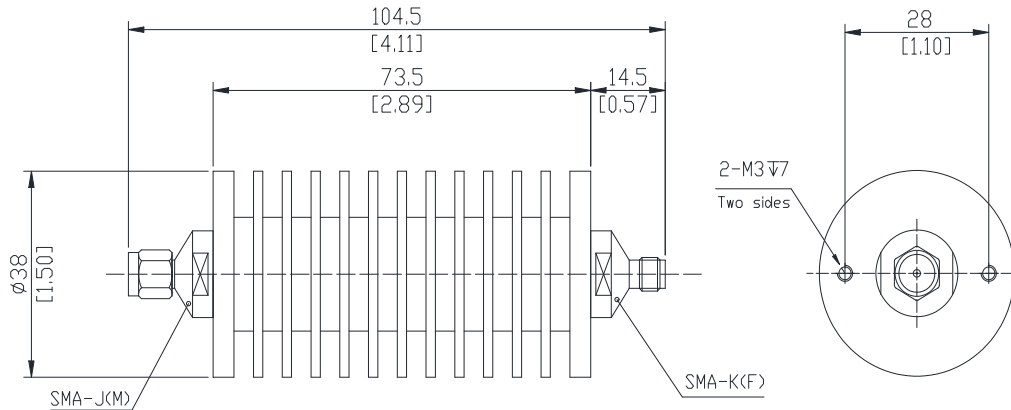
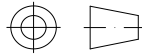


Coaxial Attenuator

Features and Electrical specifications:

Model	ATXXRA50V-SMA-8			
Frequency Range	DC~8.0GHz			
VSWR	1.30Max			
Power	50 W			
Impedance	50 Ω			
Attenuation	01-10dB	11-20dB	25、30dB	40、50、60dB
Attenuation Tolerance	± 0.8 dB	± 1.0 dB	± 1.1 dB	± 1.3 dB
Connector	SMA-J(M)/SMA-K(F)			
Dimension	$\Phi 38 \times 104.5$ mm			
Operating Temperature	-55 ~ +125°C (See de Power De-rating)			
Weight	About 200 g			
ROHS Compliant	Yes			

Outline Drawing (Unit: mm/inch):



RFTYT Technology Co., LTD.

<http://www.rfyt.com>

E-mail: Jackson@rfyt.com zqc7708@rfyt.com

TEL: +86-13088268828 FAX: +86-816-2846565

218# Wenwu Middle Road, Jinkai District, Mianyang, Sichuan Province China

Ready For Tackling Your Trouble



Naming rules:



Power De-rating:



Use attention:

- 1、 Dimensions Tolerance $\pm 3\%$;
- 2、 If necessary, the product shall be air-cooled for auxiliary heat dissipation ;
- 3、 Custom designs available of other special attenuators ;
- 4、 Pay attention to the direction of the product during use and strictly prohibit reverse connection。