

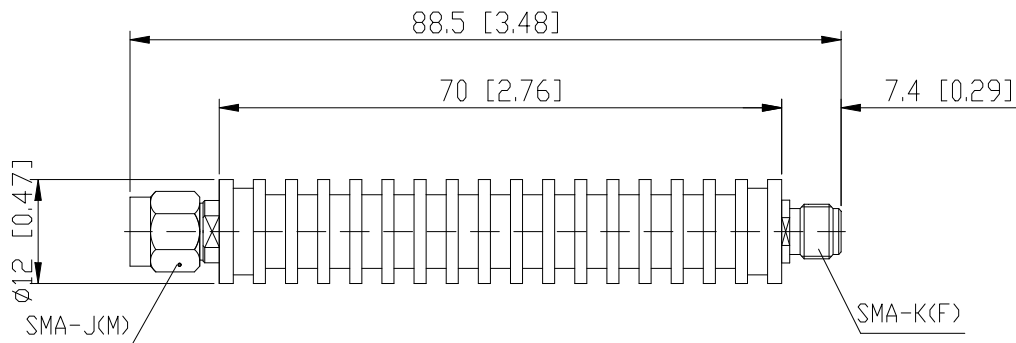
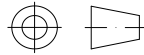


## Coaxial Attenuator

### Features and Electrical specifications:

Model	ATXXRA20C-SMA-6		
Frequency Range	DC~6.0GHz		
VSWR	1.25Max		
Power	20 W		
Impedance	50 $\Omega$		
Attenuation	01-10dB	11-20dB	21-30dB
Attenuation Tolerance	$\pm 0.6$ dB	$\pm 0.8$ dB	$\pm 1.0$ dB
Connector	SMA-J(M)/ SMA-K(F)		
Dimension	$\Phi 12 \times 88.5$ mm		
Operating Temperature	-55 ~ +125°C (See de Power De-rating)		
Weight	About 18 g		
ROHS Compliant	Yes		

### Outline Drawing (Unit: mm/inch):



**RFTYT Technology Co., LTD.**

<http://www.rftyt.com>

E-mail: Jackson@rftyt.com      zqc7708@rftyt.com

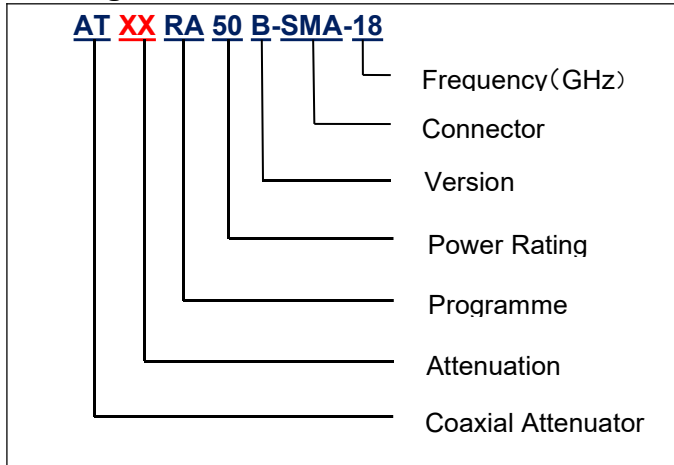
TEL: +86-13088268828      FAX: +86-816-2846565

218# Wenwu Middle Road, Jinkai District, Mianyang, Sichuan Province China

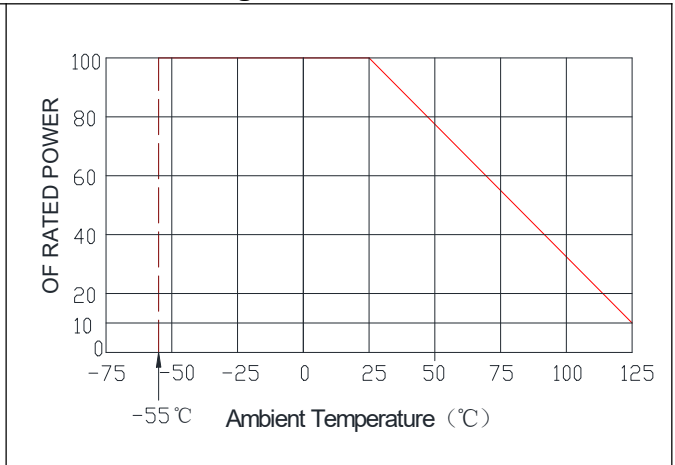
**Ready For Tackling Your Trouble**



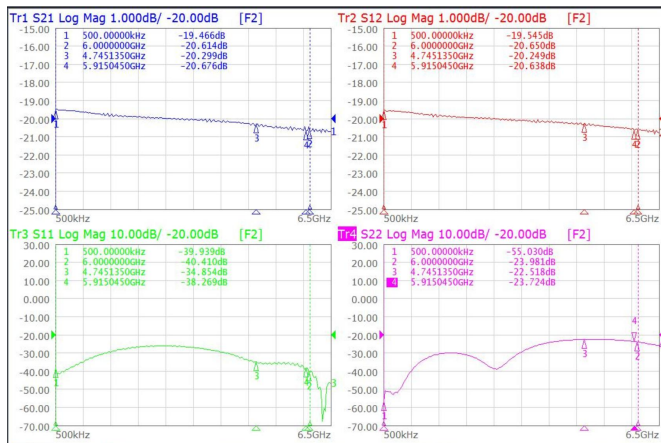
**Naming rules:**



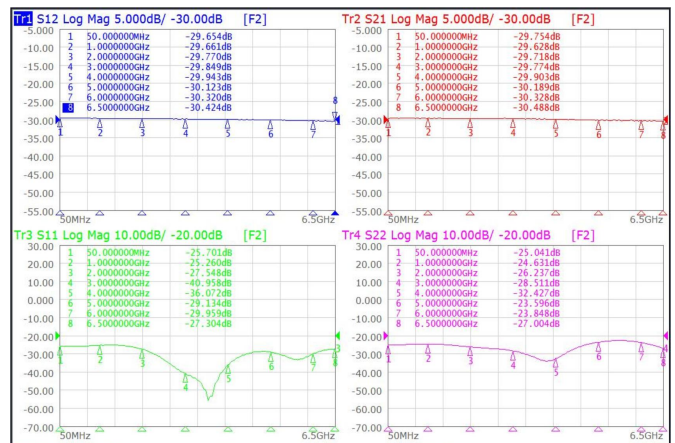
**Power De-rating:**



**Graph:  
20dB**



**30dB**



**Use attention:**

- 1、Dimensions Tolerance  $\pm 3\%$ ;
- 2、If necessary, the product shall be air-cooled for auxiliary heat dissipation ;
- 3、Custom designs available of other special attenuators ;
- 4、Pay attention to the direction of the product during use and strictly prohibit reverse connection.