

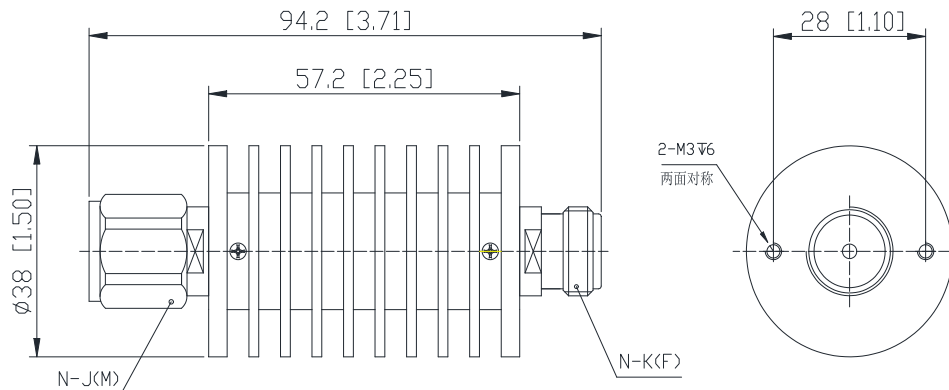
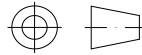


## Coaxial Attenuator

### Features and Electrical specifications:

Model	ATXXRA30A-N-6				
Frequency Range	DC~6.0GHz				
VSWR	1.25Max				
Power	30 W				
Impedance	50 $\Omega$				
Attenuation	01-10dB	11-20dB	21-30dB	40dB	50、60dB
Attenuation Tolerance	$\pm 0.8$ dB	$\pm 1.0$ dB	$\pm 1.2$ dB	$\pm 1.2$ dB	$\pm 1.2$ dB
Connector	N-J(M)/N-K(F)				
Dimension	$\Phi 38 \times 94.2$ mm				
Operating Temperature	-55 ~ +125°C (See de Power De-rating)				
Weight	About 160 g				
ROHS Compliant	Yes				

### Outline Drawing (Unit: mm/inch):



**RFTYT Technology Co., LTD.**

<http://www.rfyt.com>

E-mail: Jackson@rfyt.com      zqc7708@rfyt.com

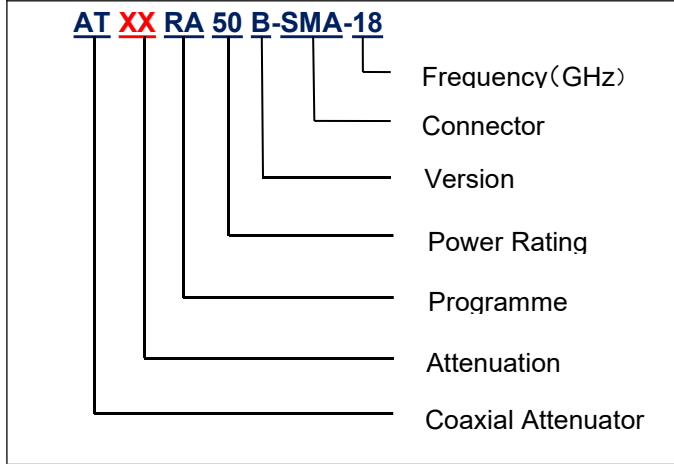
TEL: +86-13088268828      FAX: +86-816-2846565

218# Wenwu Middle Road, Jinkai District, Mianyang, Sichuan Province China

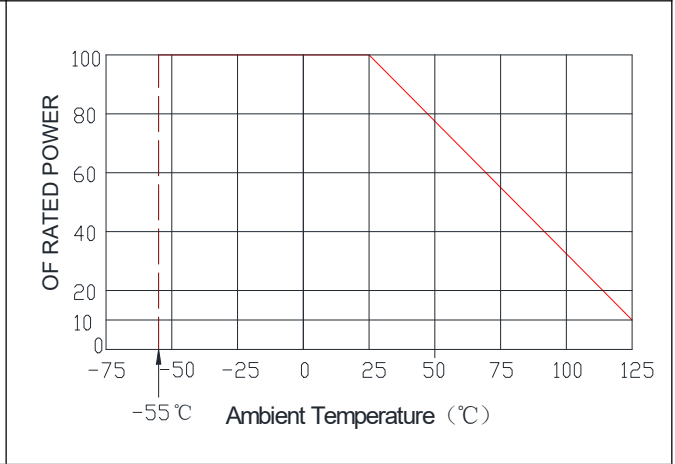
**Ready For Tackling Your Trouble**



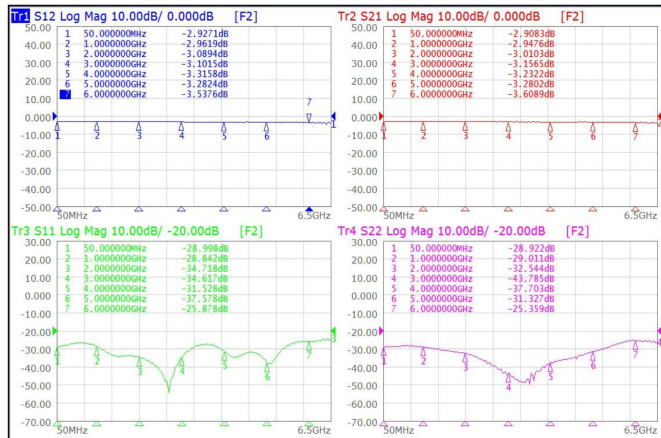
**Naming rules:**



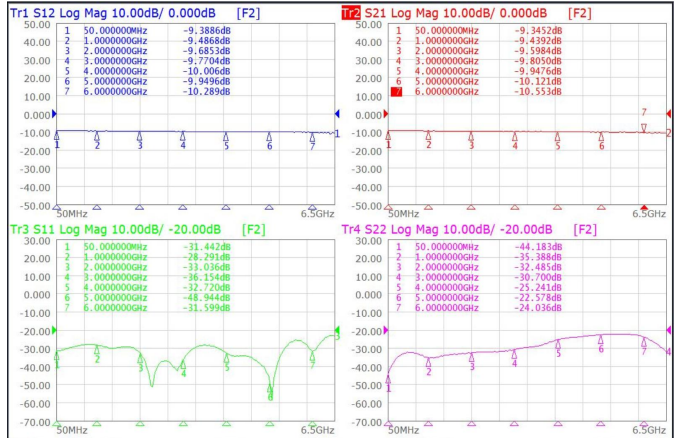
**Power De-rating:**



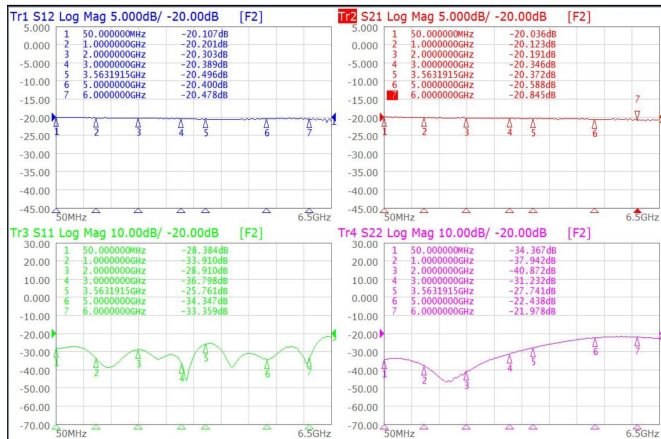
**Graph:  
3dB**



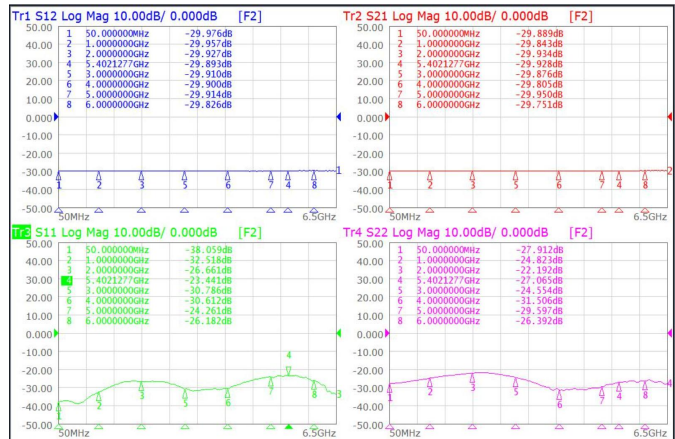
**10dB**



**20dB**

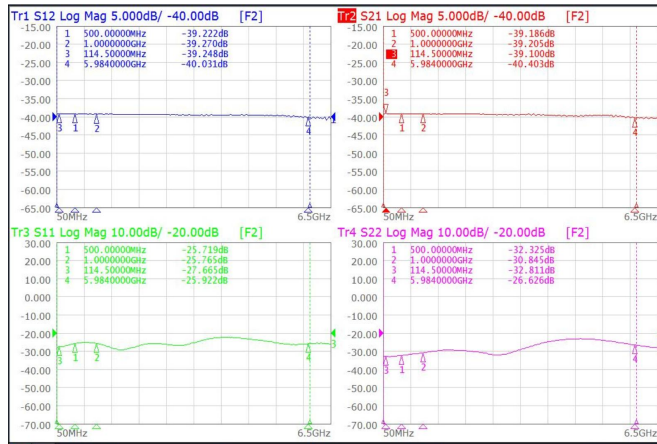


**30dB**

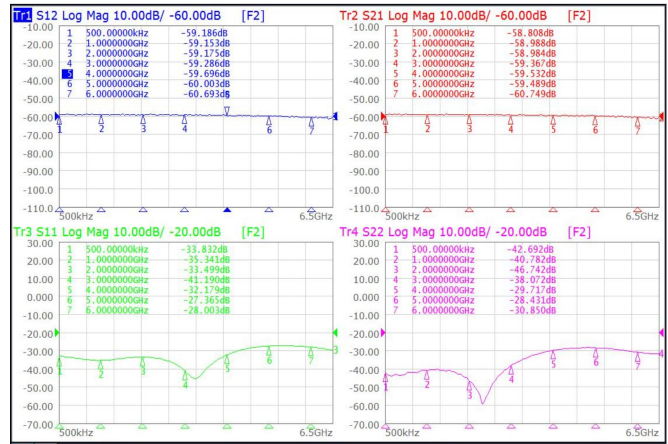




40dB



60dB



Use attention:

- 1、 Dimensions Tolerance  $\pm 3\%$ ;
- 2、 If necessary, the product shall be air-cooled for auxiliary heat dissipation ;
- 3、 Custom designs available of other special attenuators ;
- 4、 Pay attention to the direction of the product during use and strictly prohibit reverse connection.