

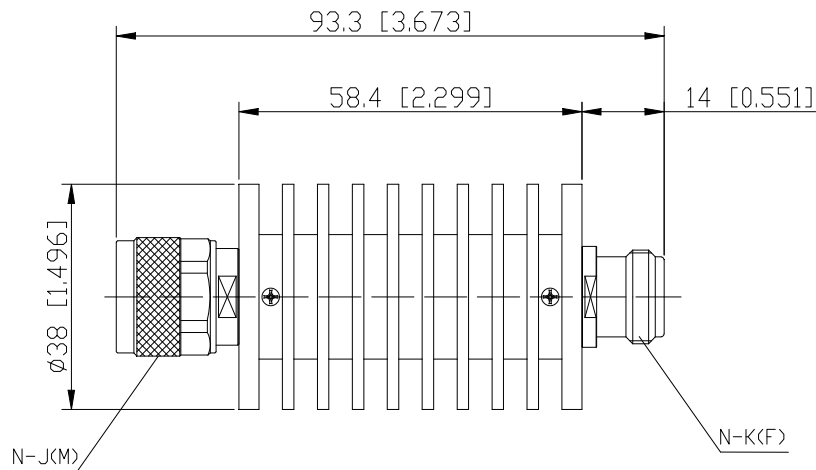


Coaxial Attenuator

Features and Electrical specifications:

Model	ATXXRA30C-N-18
Frequency Range	DC~18.0GHz
VSWR	1.40Max
Power	30 W
Impedance	50 Ω
Attenuation	3、6、10、20、30、40dB
Attenuation Tolerance	-1.5dB/+2.0dB
Connector	N-J(M)/N-K(F)
Dimension	Φ38×93.3mm
Operating Temperature	-55 ~ +125°C (See de Power De-rating)
Weight	About 160 g
ROHS Compliant	Yes

Outline Drawing (Unit: mm/inch):





Naming rules:



Power De-rating:



Use attention:

- 1、 Dimensions Tolerance $\pm 3\%$;
- 2、 If necessary, the product shall be air-cooled for auxiliary heat dissipation ;
- 3、 Custom designs available of other special attenuators ;
- 4、 Pay attention to the direction of the product during use and strictly prohibit reverse connection。