

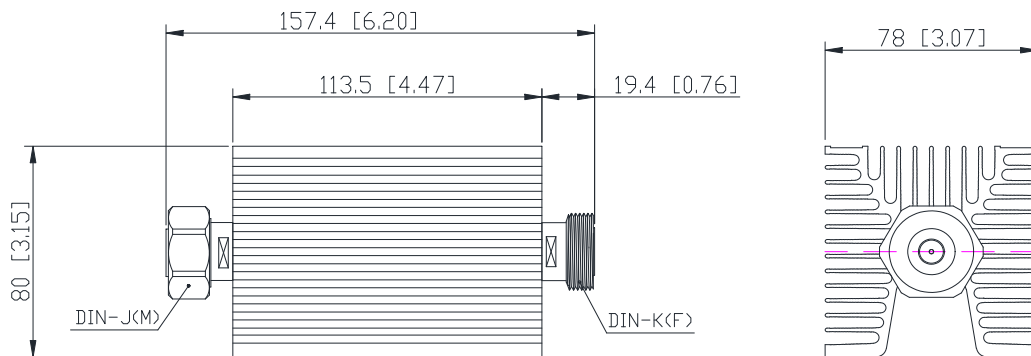
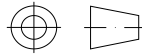


Coaxial Attenuator

Features and Electrical specifications:

Model	ATXXFA100A-DIN-6			
Frequency Range	DC-6.0GHz			
VSWR	1.30Max			
Power	100 W			
Impedance	50 Ω			
Attenuation	01-10dB	11-20dB	21-30dB	40、50、60dB
Attenuation Tolerance	± 0.8 dB	± 1.0 dB	± 1.0 dB	± 1.2 dB
Connector	DIN-J(M)/DIN-K(F)			
Dimension	78 \times 80 \times 157.4mm			
Operating Temperature	-55 ~ +125 $^{\circ}$ C (See de Power De-rating)			
Weight	About 960 g			
ROHS Compliant	Yes			

Outline Drawing (Unit: mm/inch):

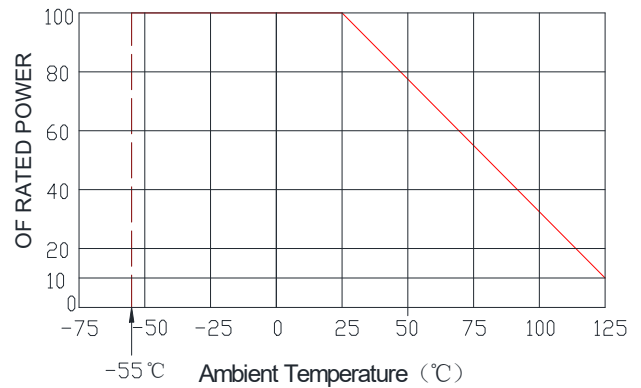




Naming rules:



Power De-rating:



Use attention:

- 1、 Dimensions Tolerance $\pm 3\%$;
- 2、 If necessary, the product shall be air-cooled for auxiliary heat dissipation ;
- 3、 Custom designs available of other special attenuators ;
- 4、 Pay attention to the direction of the product during use and strictly prohibit reverse connection。