

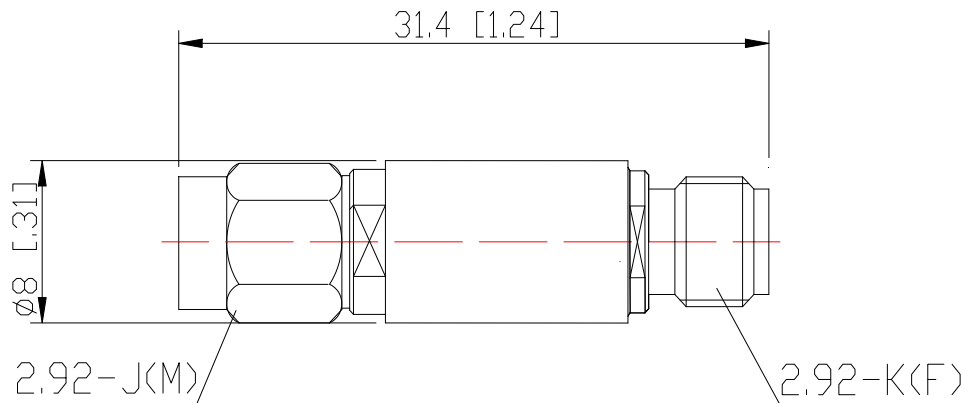
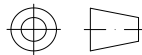


Coaxial Attenuator

Features and Electrical specifications:

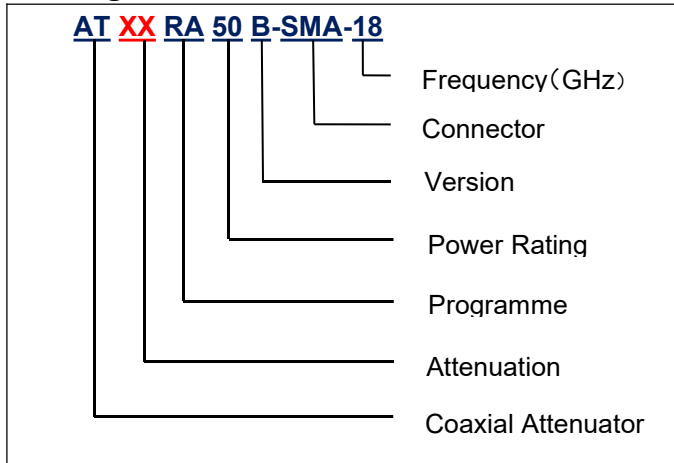
Model	ATXXRA02A-2.92-40	
Frequency Range	DC~40.0GHz	
VSWR	1.35 Max	
Power	2 W	
Impedance	50 Ω	
Attenuation	1-10dB	20dB、30dB
Attenuation Tolerance	±1.0dB	+1.0 dB/-1.5dB
Connector	2.92-J(M)/2.92-K(F)	
Dimension	Φ8.0×31.4mm	
Operating Temperature	-55 ~ +125°C (See de Power De-rating)	
Weight	About 5 g	
ROHS Compliant	Yes	

Outline Drawing (Unit: mm/inch):

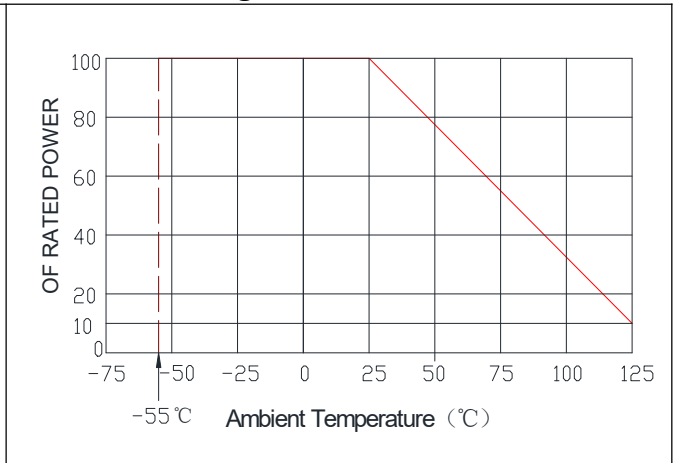




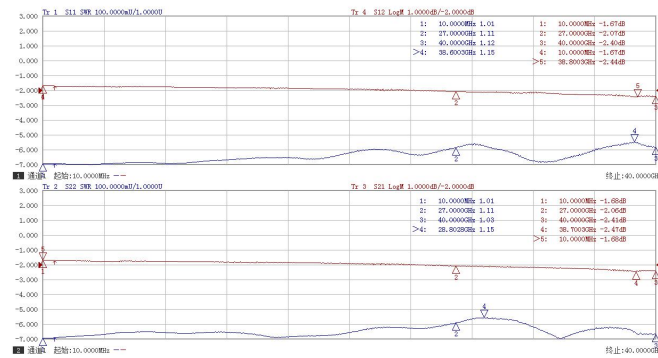
Naming rules:



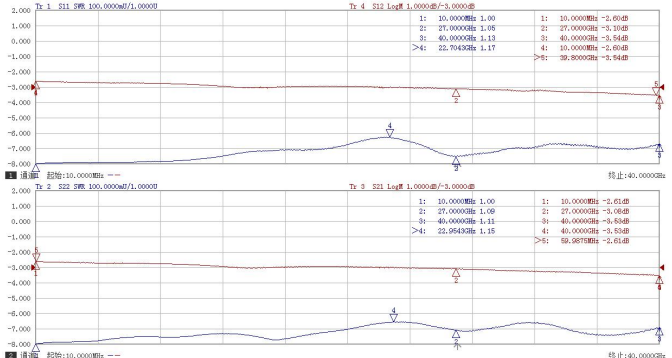
Power De-rating:



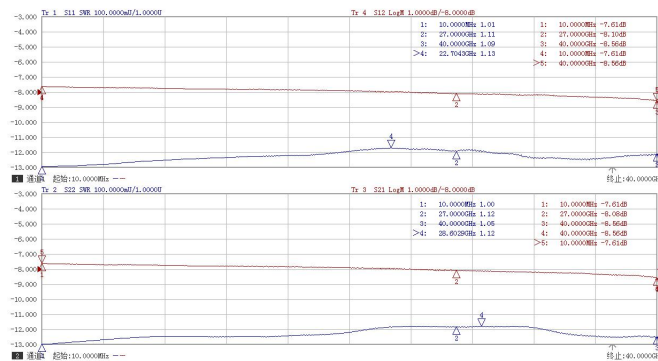
Graph: 2dB



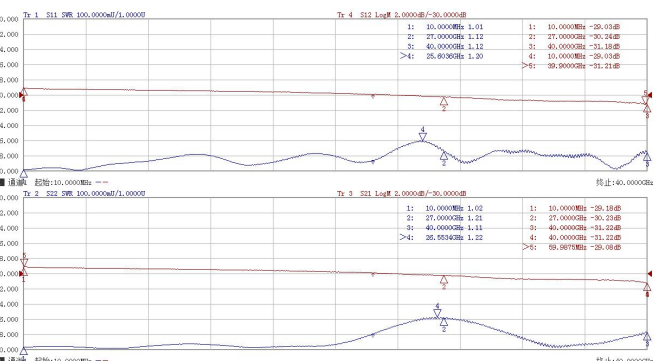
3dB



8dB



30dB



Use attention:

- 1、Dimensions Tolerance $\pm 3\%$;
- 2、If necessary, the product shall be air-cooled for auxiliary heat dissipation ;
- 3、Custom designs available of other special attenuators ;
- 4、Pay attention to the direction of the product during use and strictly prohibit reverse connection.