

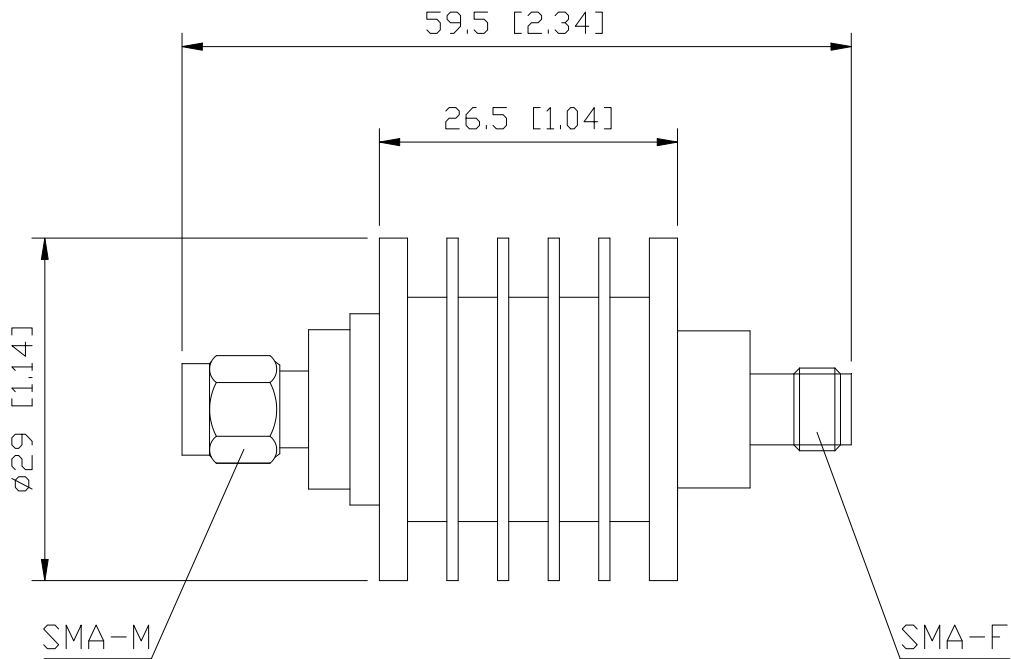
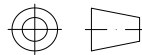


Coaxial Attenuator

Features and Electrical specifications:

Model	ATXXRF10A-SMA-4		
Frequency Range	DC~4.0GHz		
VSWR	1.20Max		
Power	10 W		
Impedance	50 Ω		
Attenuation	1-10dB	11-20dB	21-30dB
Attenuation Tolerance	± 0.6 dB	± 0.8 dB	± 1.0 dB
Connector	SMA-J(M)/SMA-K(F)		
Dimension	$\Phi 29.0 \times 59.5$ mm		
Operating Temperature	-55 ~ +125°C (See de Power De-rating)		
Weight	About 68 g		
ROHS Compliant	Yes		

Outline Drawing (Unit: mm/inch):





Naming rules:



Power De-rating:



Use attention:

- 1、 Dimensions Tolerance $\pm 3\%$;
- 2、 If necessary, the product shall be air-cooled for auxiliary heat dissipation ;
- 3、 Custom designs available of other special attenuators ;
- 4、 Pay attention to the direction of the product during use and strictly prohibit reverse connection。