

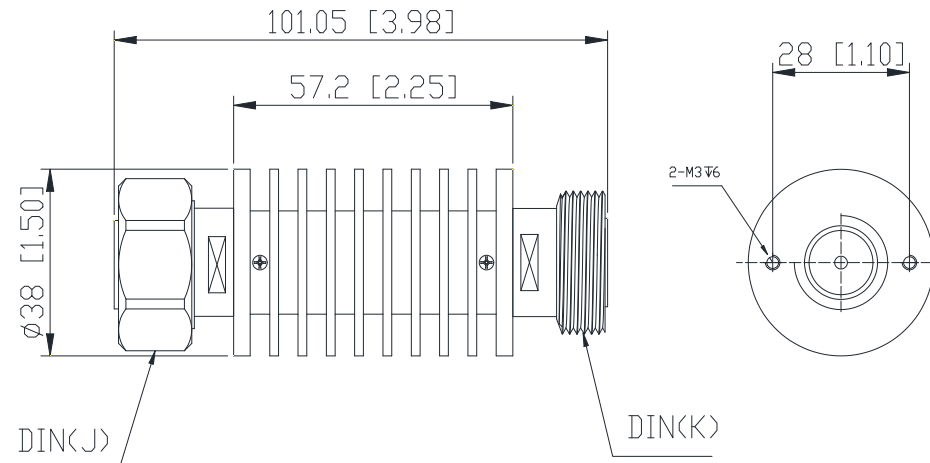
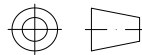


Coaxial Attenuator

Features and Electrical specifications:

Model	ATXXRA30A-DIN-6				
Frequency Range	DC~6.0GHz				
VSWR	1.30Max				
Power	30 W				
Impedance	50 Ω				
Attenuation	01-10dB	11-20dB	21-30dB	40dB	50、60dB
Attenuation Tolerance	±0.6dB	±0.8dB	±1.0dB	±1.0dB	±1.2dB
Connector	DIN-J(M)/DIN-K(F)				
Dimension	Φ38×101.0mm				
Operating Temperature	-55 ~ +125°C (See de Power De-rating)				
Weight	About 248 g				
ROHS Compliant	Yes				

Outline Drawing (Unit: mm/inch):



RFTYT Technology Co., LTD.

<http://www.rfyt.com>

E-mail: Jackson@rfyt.com zqc7708@rfyt.com

TEL: +86-13088268828 FAX: +86-816-2846565

218# Wenwu Middle Road, Jinkai District, Mianyang, Sichuan Province China

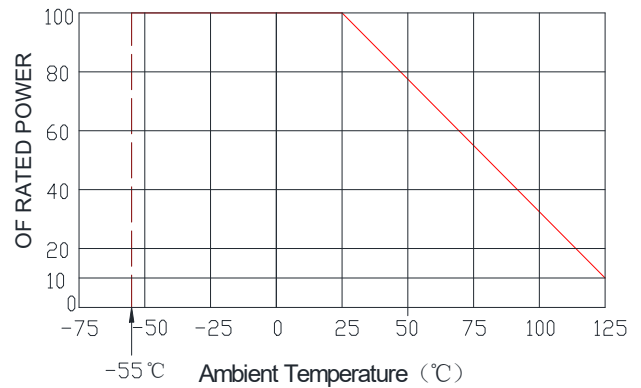
Ready For Tackling Your Trouble



Naming rules:



Power De-rating:



Use attention:

- 1、 Dimensions Tolerance $\pm 3\%$;
- 2、 If necessary, the product shall be air-cooled for auxiliary heat dissipation ;
- 3、 Custom designs available of other special attenuators ;
- 4、 Pay attention to the direction of the product during use and strictly prohibit reverse connection。