

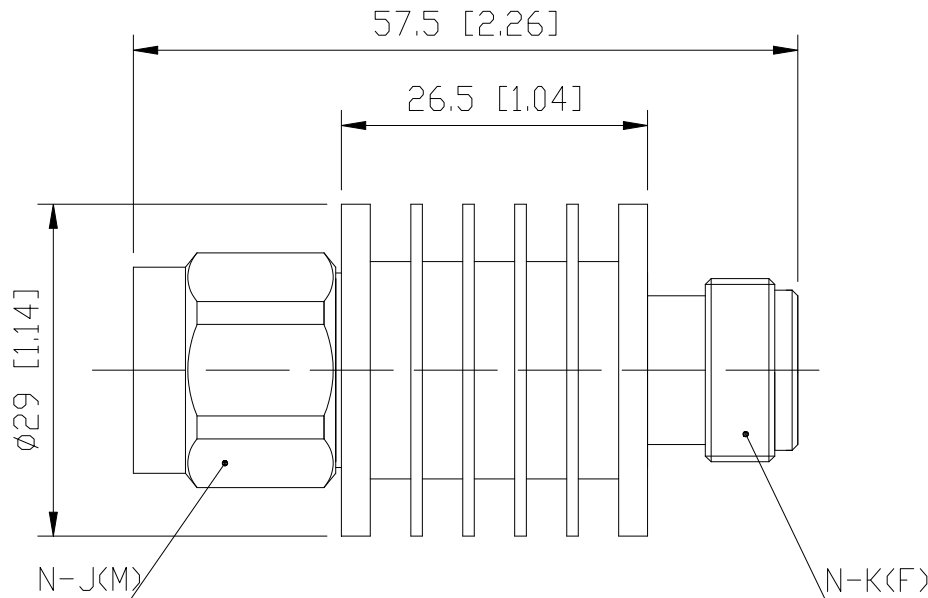
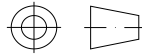


## Coaxial Attenuator

### Features and Electrical specifications:

Model	ATXXRF10A-N-4		
Frequency Range	DC~4.0GHz		
VSWR	1.20Max		
Power	10 W		
Impedance	50 $\Omega$		
Attenuation	1-10dB	11-20dB	21-30dB
Attenuation Tolerance	$\pm 0.6$ dB	$\pm 0.8$ dB	$\pm 1.0$ dB
Connector	N-J(M)/N-K(F)		
Dimension	$\Phi 29 \times 57.5$ mm		
Operating Temperature	-55 ~ +125°C (See de Power De-rating)		
Weight	About 110 g		
ROHS Compliant	Yes		

### Outline Drawing (Unit: mm/inch):



**RFTYT Technology Co., LTD.**

<http://www.rfyt.com>

E-mail: Jackson@rfyt.com      zqc7708@rfyt.com

TEL: +86-13088268828      FAX: +86-816-2846565

218# Wenwu Middle Road, Jinkai District, Mianyang, Sichuan Province China

**Ready For Tackling Your Trouble**



**Naming rules:**



**Power De-rating:**



**Use attention:**

- 1、 Dimensions Tolerance  $\pm 3\%$ ;
- 2、 If necessary, the product shall be air-cooled for auxiliary heat dissipation ;
- 3、 Custom designs available of other special attenuators ;
- 4、 Pay attention to the direction of the product during use and strictly prohibit reverse connection。