

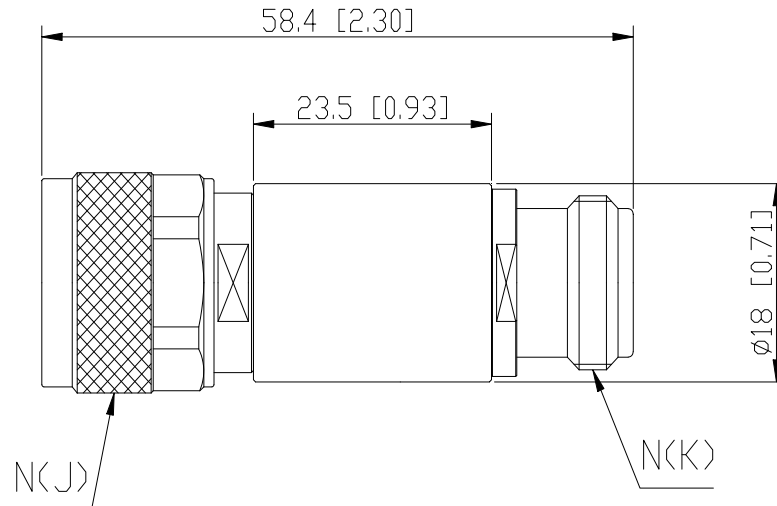
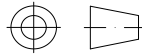


Coaxial Attenuator

Features and Electrical specifications:

| | | | |
|-----------------------|---------------------------------------|--------------|--------------|
| Model | ATXXRA05B-N-18 | | |
| Frequency Range | DC~18.0GHz | | |
| VSWR | 1.30Max | | |
| Power | 5 W | | |
| Impedance | 50 Ω | | |
| Attenuation | 1-10dB | 15、20dB | 25、30dB |
| Attenuation Tolerance | ± 0.6 dB | ± 0.8 dB | ± 1.0 dB |
| Connector | N-J(M)/N-K(F) | | |
| Dimension | $\Phi 18 \times 58.4$ mm | | |
| Operating Temperature | -55 ~ +125°C (See de Power De-rating) | | |
| Weight | g | | |
| ROHS Compliant | Yes | | |

Outline Drawing (Unit: mm/inch):



RFTYT Technology Co., LTD.

<http://www.rfyt.com>

E-mail: Jackson@rfyt.com zqc7708@rfyt.com

TEL: +86-13088268828 FAX: +86-816-2846565

218# Wenwu Middle Road, Jinkai District, Mianyang, Sichuan Province China

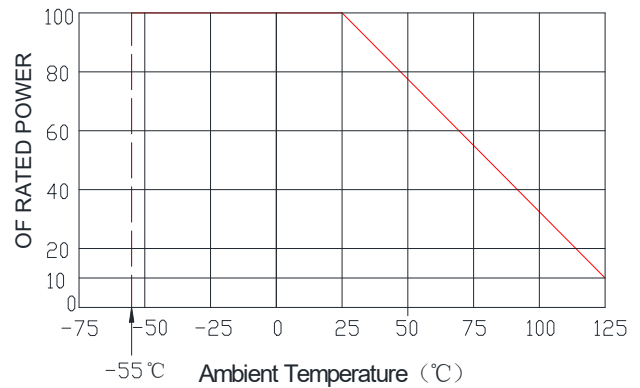
Ready For Tackling Your Trouble



Naming rules:



Power De-rating:



Use attention:

- 1、 Dimensions Tolerance $\pm 3\%$;
- 2、 If necessary, the product shall be air-cooled for auxiliary heat dissipation ;
- 3、 Custom designs available of other special attenuators ;
- 4、 Pay attention to the direction of the product during use and strictly prohibit reverse connection。