

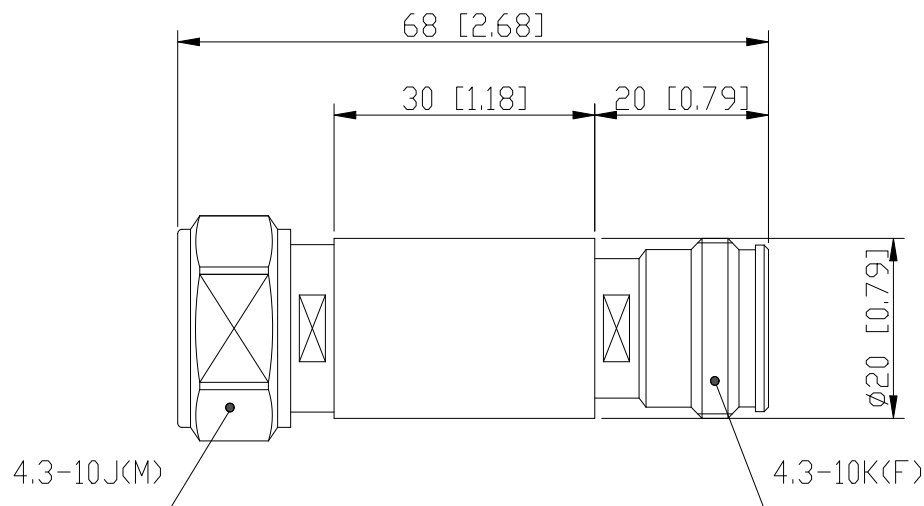


Coaxial Attenuator

Features and Electrical specifications:

Model	ATXXRA05A-4310-6		
Frequency Range	DC~6.0GHz		
VSWR	1.30Max		
Power	5 W		
Impedance	50 Ω		
Attenuation	1-10dB	12、13、15、20dB	30、40dB
Attenuation Tolerance	±0.7dB	±0.8dB	±1.0dB
Connector	4.3-10-J(M)/4.3-10-K(F)		
Dimension	Φ20×68mm		
Operating Temperature	-55 ~ +125°C (See de Power De-rating)		
Weight	About 90g		
ROHS Compliant	Yes		

Outline Drawing (Unit: mm/inch):



RFTYT Technology Co., LTD.

<http://www.rfyt.com>

E-mail: Jackson@rfyt.com zqc7708@rfyt.com

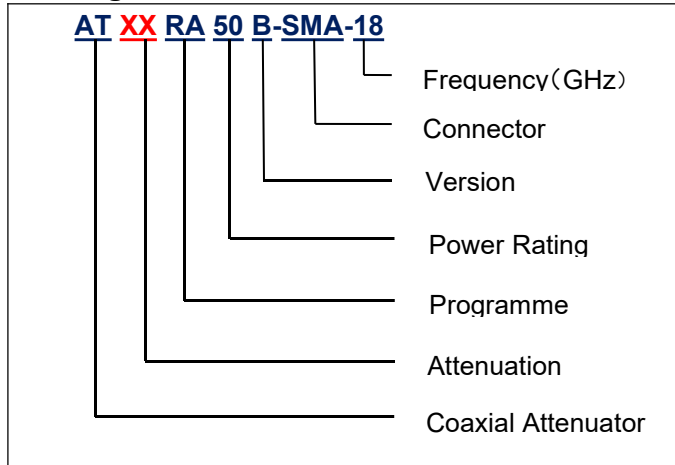
TEL: +86-13088268828 FAX: +86-816-2846565

218# Wenwu Middle Road, Jinkai District, Mianyang, Sichuan Province China

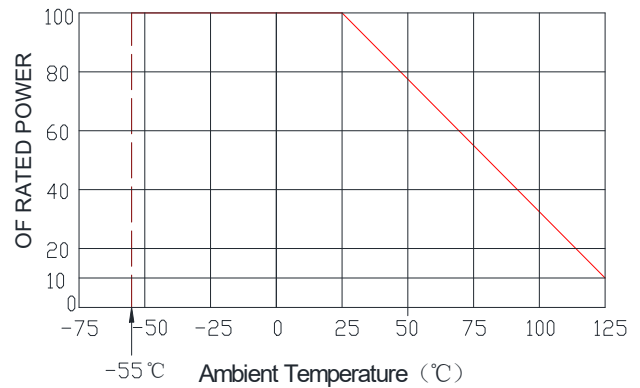
Ready For Tackling Your Trouble



Naming rules:



Power De-rating:



Use attention:

- 1、 Dimensions Tolerance $\pm 3\%$;
- 2、 If necessary, the product shall be air-cooled for auxiliary heat dissipation ;
- 3、 Custom designs available of other special attenuators ;
- 4、 Pay attention to the direction of the product during use and strictly prohibit reverse connection。