

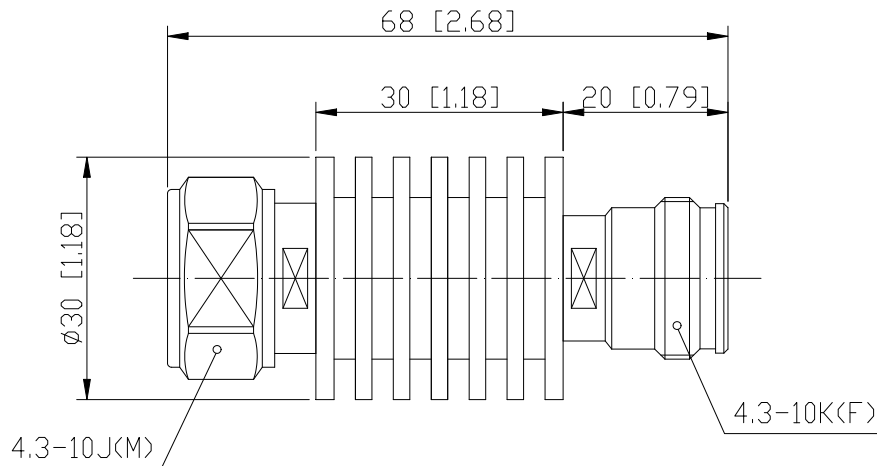
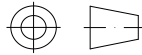


Coaxial Attenuator

Features and Electrical specifications:

Model	ATXXRA10A-4310-6			
Frequency Range	DC~6.0GHz			
VSWR	1.30Max			
Power	10 W			
Impedance	50 Ω			
Attenuation	1-10dB	11-20dB	21-30dB	40dB
Attenuation Tolerance	± 0.7 dB	± 0.8 dB	± 1.0 dB	± 1.0 dB
Connector	4.3-10-J(M)/4.3-40-K(F)			
Dimension	$\Phi 30 \times 68$ mm			
Operating Temperature	-55 ~ +125°C (See de Power De-rating)			
Weight	About 130g			
ROHS Compliant	Yes			

Outline Drawing (Unit: mm/inch):



RFTYT Technology Co., LTD.

<http://www.rfyt.com>

E-mail: Jackson@rfyt.com zqc7708@rfyt.com

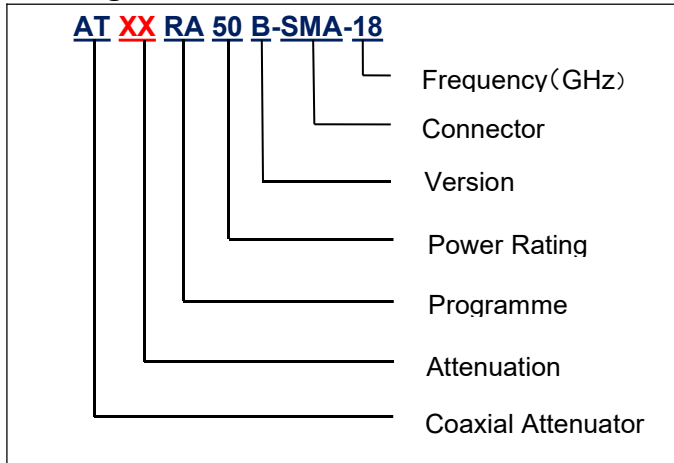
TEL: +86-13088268828 FAX: +86-816-2846565

218# Wenwu Middle Road, Jinkai District, Mianyang, Sichuan Province China

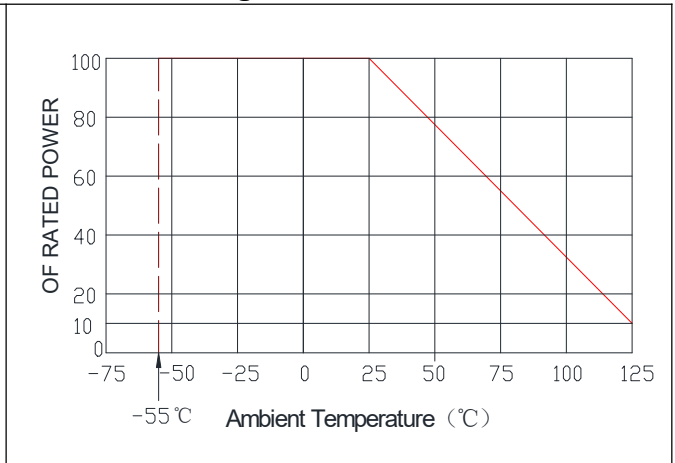
Ready For Tackling Your Trouble



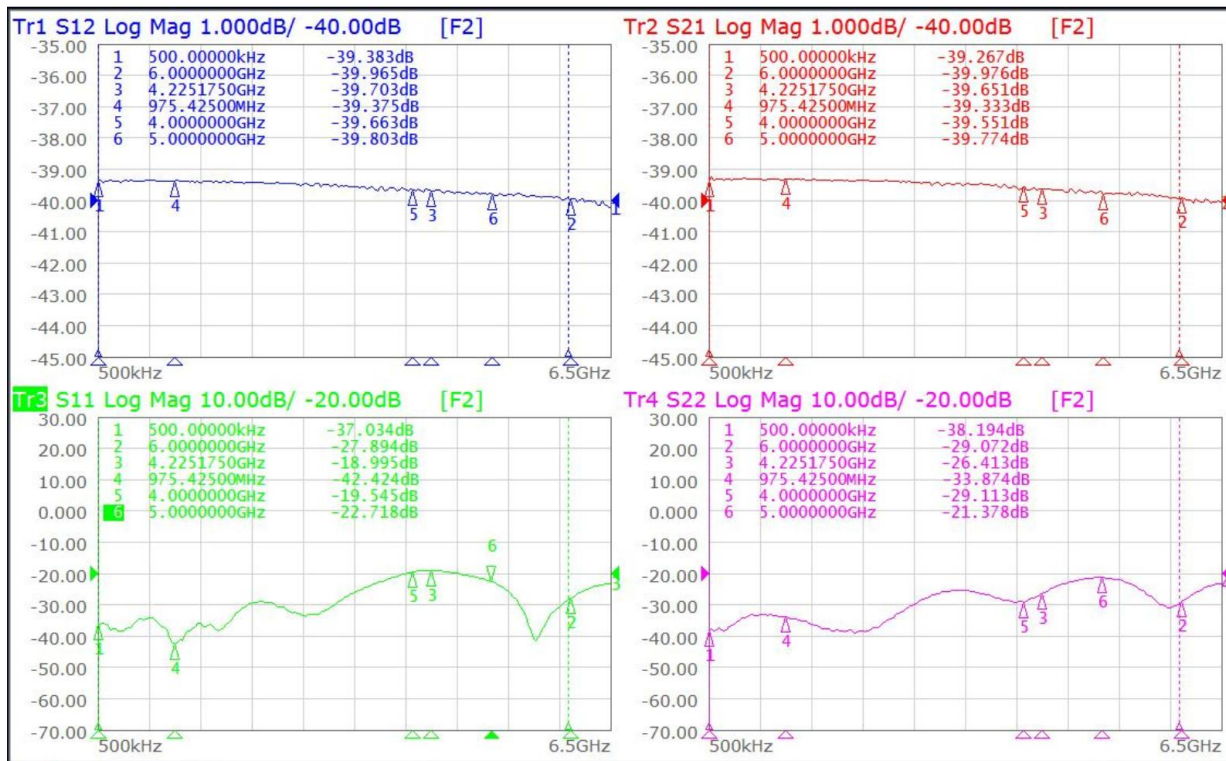
Naming rules:



Power De-rating:



**Graph:
40dB**



Use attention:

- 1、Dimensions Tolerance $\pm 3\%$;
- 2、If necessary, the product shall be air-cooled for auxiliary heat dissipation ;
- 3、Custom designs available of other special attenuators ;
- 4、Pay attention to the direction of the product during use and strictly prohibit reverse connection.