

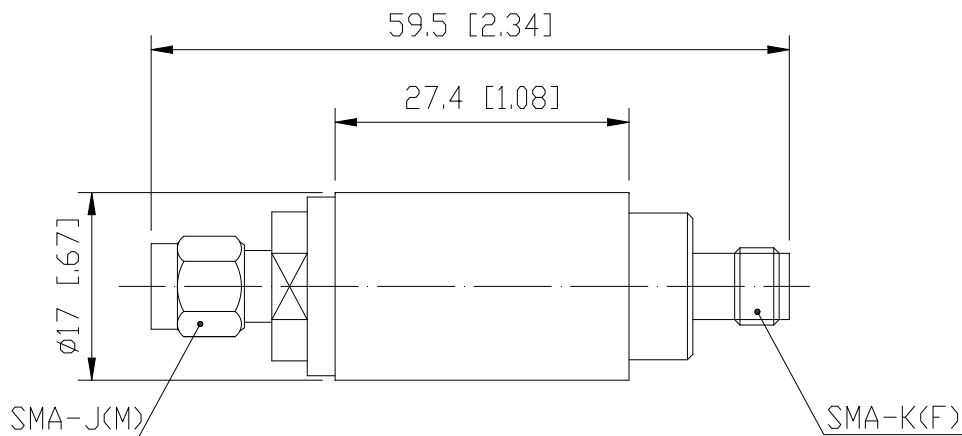


Coaxial Attenuator

Features and Electrical specifications:

Model	ATXXRF02A-SMA-4		
Frequency Range	DC~4.0GHz		
VSWR	1.20Max		
Power	2 W		
Impedance	50 Ω		
Attenuation	1-10dB	11-20dB	21-30dB
Attenuation Tolerance	±0.6dB	±0.8dB	±1.0dB
Connector	SMA-J(M)/SMA-K(F)		
Dimension	Φ17×59.5mm		
Operating Temperature	-55 ~ +125°C (See de Power De-rating)		
Weight	About 49 g		
ROHS Compliant	Yes		

Outline Drawing (Unit: mm/inch):

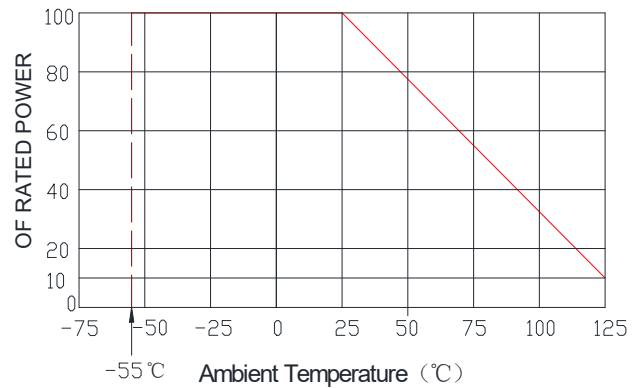




Naming rules:



Power De-rating:



Use attention:

- 1、 Dimensions Tolerance $\pm 3\%$;
- 2、 If necessary, the product shall be air-cooled for auxiliary heat dissipation ;
- 3、 Custom designs available of other special attenuators ;
- 4、 Pay attention to the direction of the product during use and strictly prohibit reverse connection。