

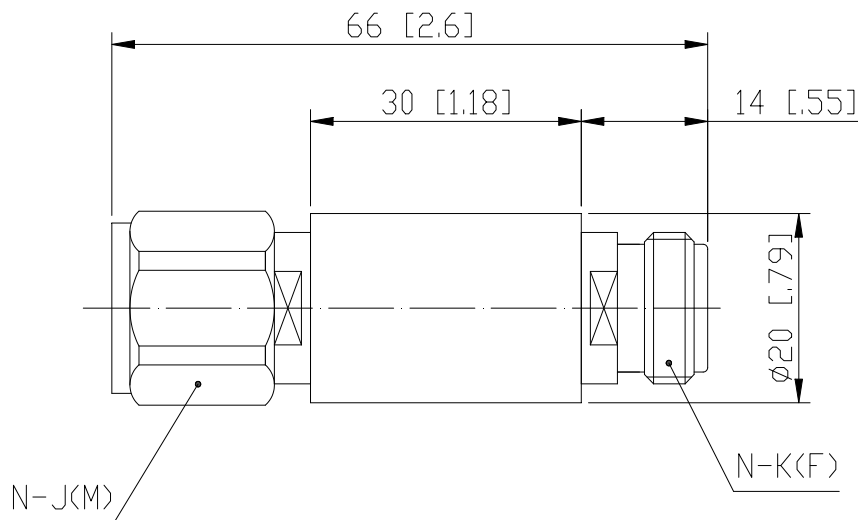
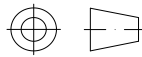


Coaxial Attenuator

Features and Electrical specifications:

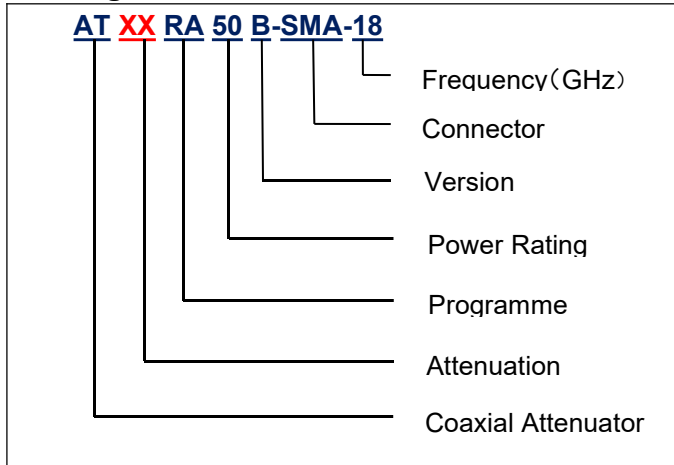
| | | | |
|-----------------------|---------------------------------------|---------------|--------------|
| Model | ATXXRA02A-N-6 | | |
| Frequency Range | DC~6.0GHz | | |
| VSWR | 1.20~1.25 Max | | |
| Power | 2 W | | |
| Impedance | 50 Ω | | |
| Attenuation | 1-10dB | 12、13、15、20dB | 25、30、40dB |
| Attenuation Tolerance | ± 0.8 dB | ± 1.0 dB | ± 1.0 dB |
| Connector | N-J(M)/N-K(F) | | |
| Dimension | $\Phi 20 \times 66$ mm | | |
| Operating Temperature | -55 ~ +125°C (See de Power De-rating) | | |
| Weight | About 80 g | | |
| ROHS Compliant | Yes | | |

Outline Drawing (Unit: mm/inch):

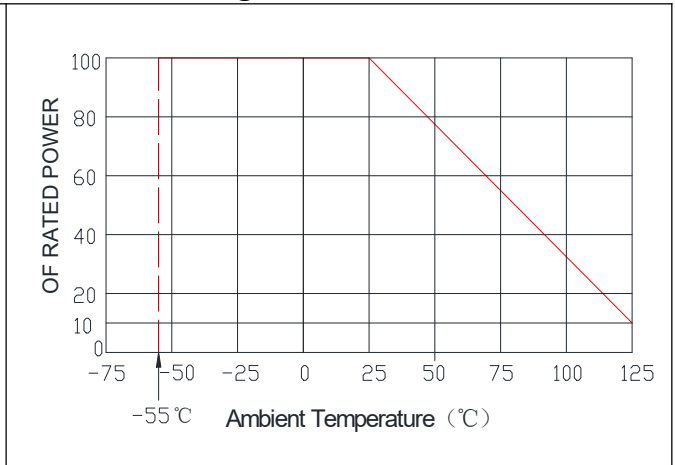




Naming rules:

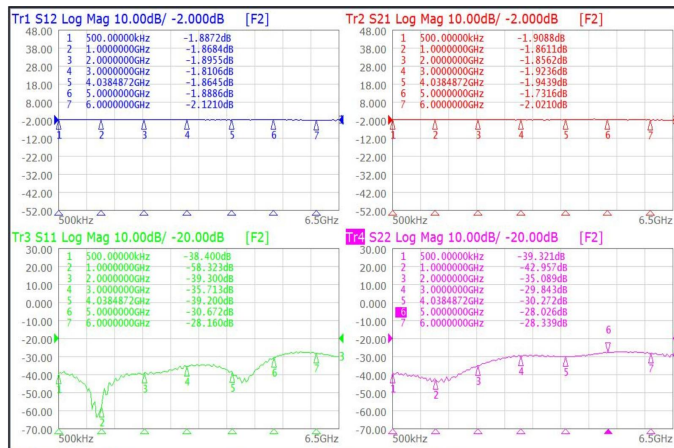


Power De-rating:

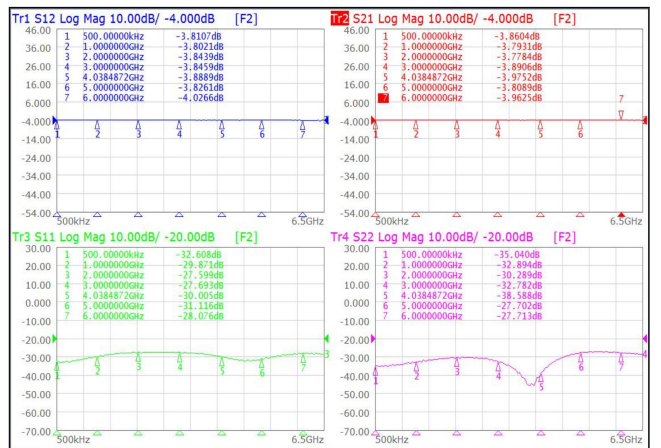


Graph:

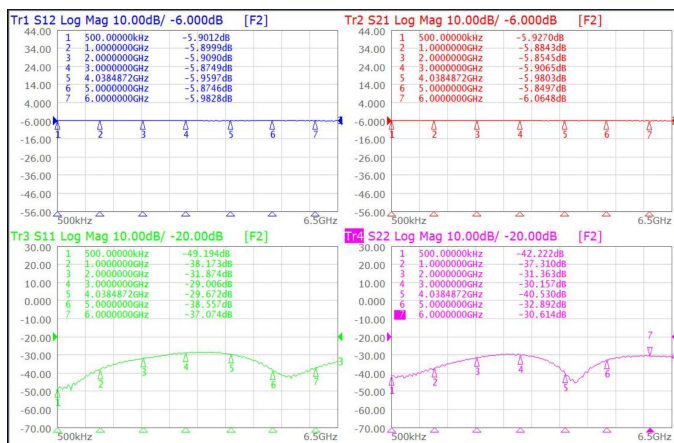
2dB



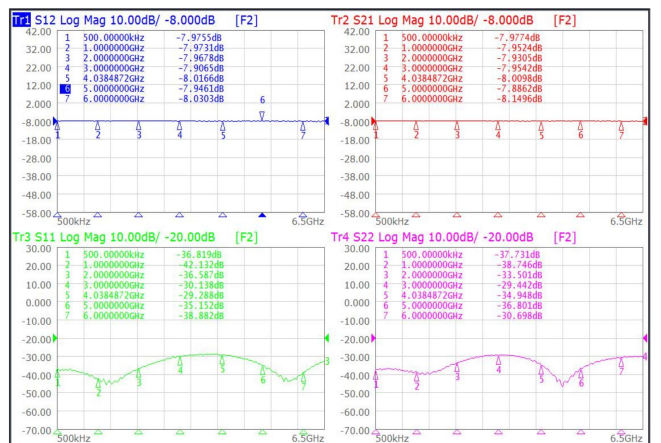
4dB



6dB

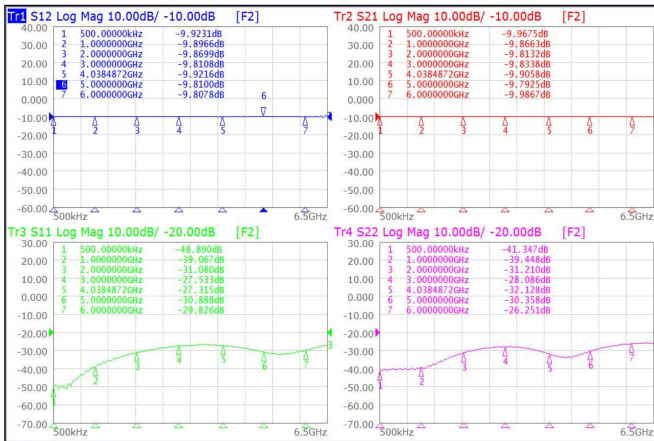


8dB

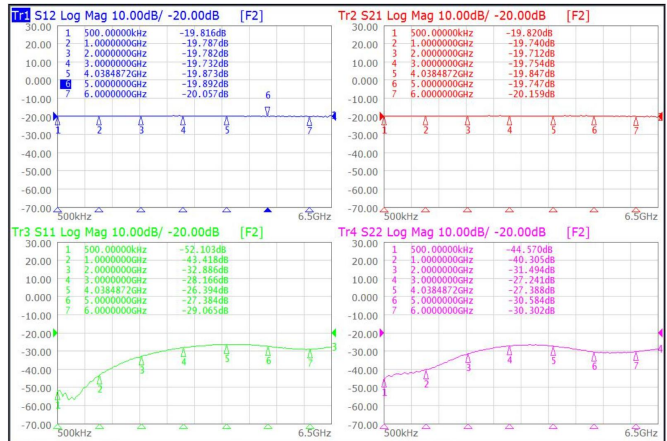




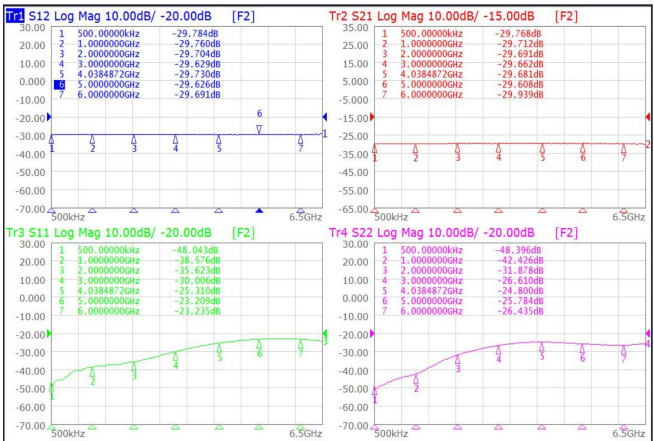
10dB 曲线图



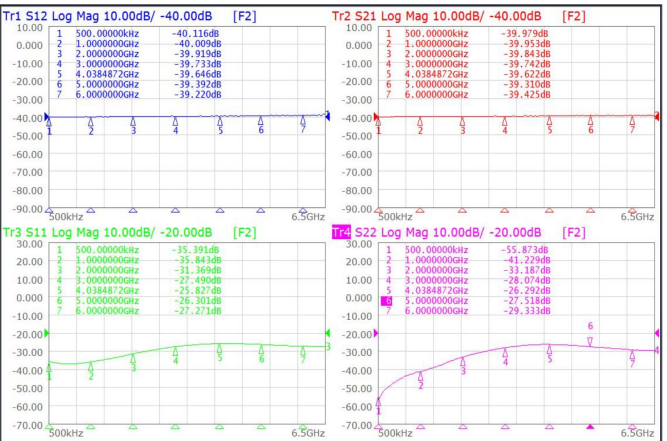
20dB 曲线图



30dB 曲线图



40dB 曲线图



Use attention:

- 1、Dimensions Tolerance $\pm 3\%$;
- 2、If necessary, the product shall be air-cooled for auxiliary heat dissipation ;
- 3、Custom designs available of other special attenuators ;
- 4、Pay attention to the direction of the product during use and strictly prohibit reverse connection.