

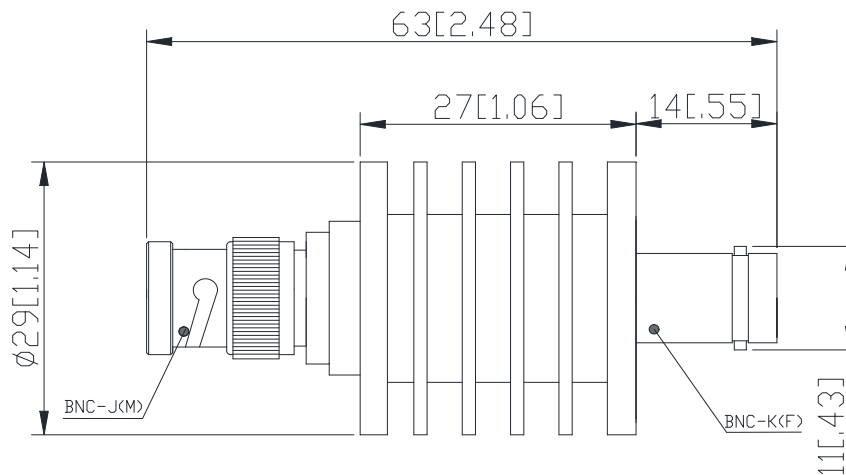
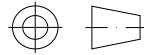


Coaxial Attenuator

Features and Electrical specifications:

Model	ATXXRF10A-BNC-1.5			
Frequency Range	DC~1.5GHz			
VSWR	1.20Max			
Power	10 W			
Impedance	50 Ω			
Attenuation	1-10dB	11-20dB	21-30dB	40dB
Attenuation Tolerance	±0.7dB	±0.8dB	±1.0dB	±1.2dB
Connector	BNC-J(M)/BNC-K(F)			
Dimension	Φ29×63mm			
Operating Temperature	-55 ~ +125°C (See de Power De-rating)			
Weight	About 80 g			
ROHS Compliant	Yes			

Outline Drawing (Unit: mm/inch):





Naming rules:



Power De-rating:



Use attention:

- 1、 Dimensions Tolerance $\pm 3\%$;
- 2、 If necessary, the product shall be air-cooled for auxiliary heat dissipation ;
- 3、 Custom designs available of other special attenuators ;
- 4、 Pay attention to the direction of the product during use and strictly prohibit reverse connection。