

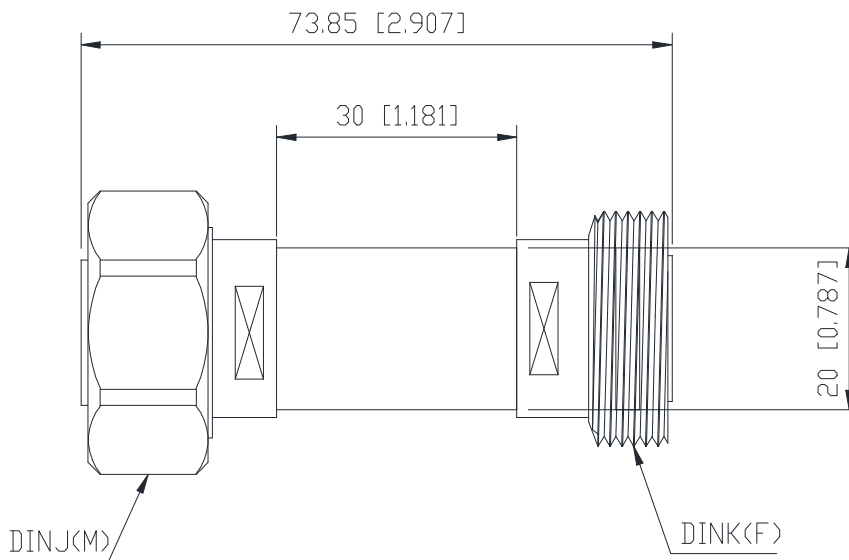
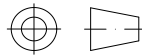


Coaxial Attenuator

Features and Electrical specifications:

| | | | |
|-----------------------|---------------------------------------|---------------|---------|
| Model | ATXXRA02A-DIN-6 | | |
| Frequency Range | DC~6.0GHz | | |
| VSWR | 1.30 Max | | |
| Power | 2 W | | |
| Impedance | 50 Ω | | |
| Attenuation | 1-10dB | 12、13、15、20dB | 30、40dB |
| Attenuation Tolerance | ±0.7dB | ±0.8dB | ±1.0dB |
| Connector | DIN-J(M)/DIN-K(F) | | |
| Dimension | Φ20×73.85mm | | |
| Operating Temperature | -55 ~ +125°C (See de Power De-rating) | | |
| Weight | About 160 g | | |
| ROHS Compliant | Yes | | |

Outline Drawing (Unit: mm/inch):



RFTYT Technology Co., LTD.

<http://www.rfyt.com>

E-mail: Jackson@rfyt.com zqc7708@rfyt.com

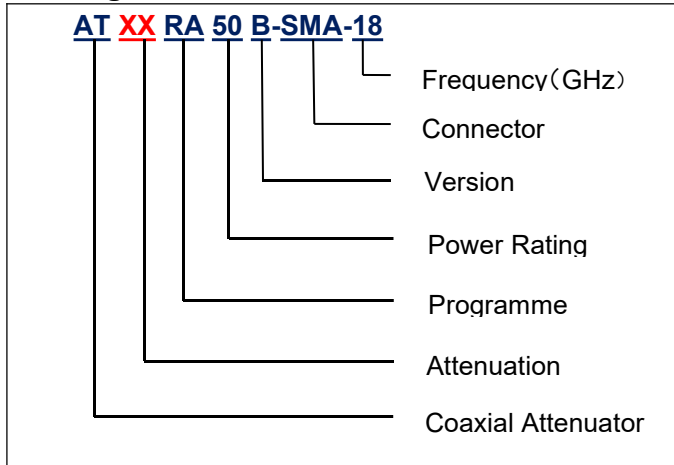
TEL: +86-13088268828 FAX: +86-816-2846565

218# Wenwu Middle Road, Jinkai District, Mianyang, Sichuan Province China

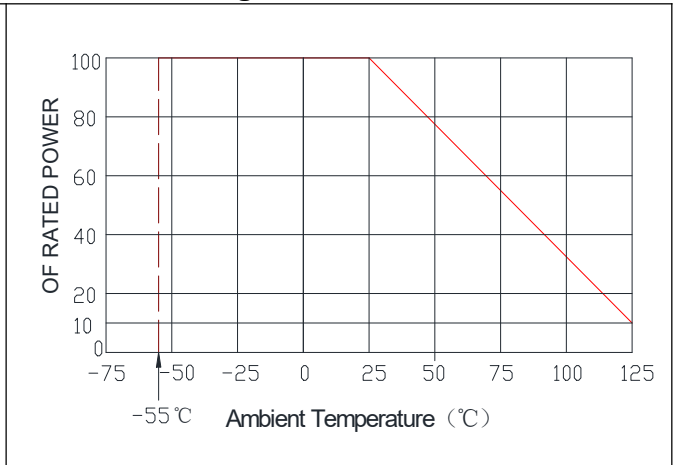
Ready For Tackling Your Trouble



Naming rules:

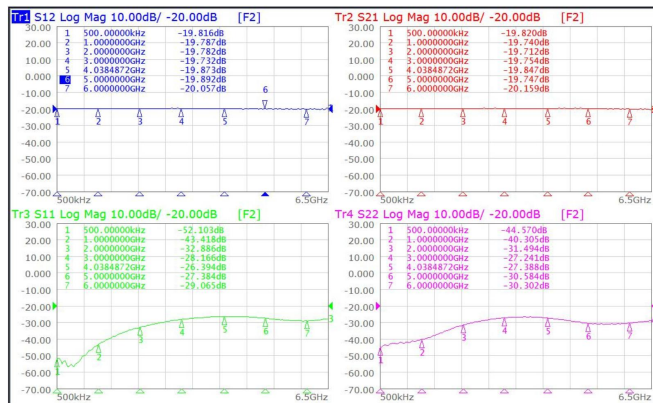


Power De-rating:

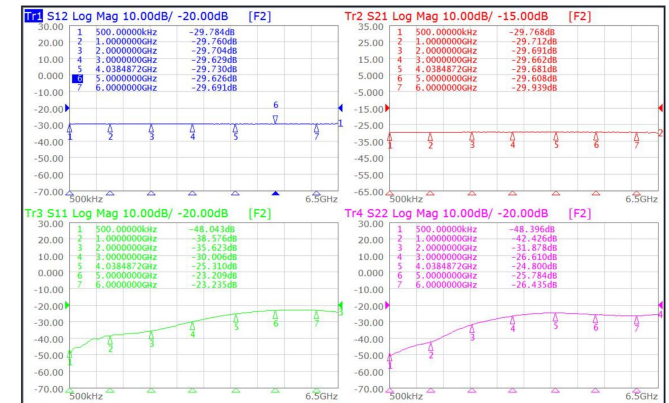


Graph:

20dB



30dB



Use attention:

- 1、Dimensions Tolerance $\pm 3\%$;
- 2、If necessary, the product shall be air-cooled for auxiliary heat dissipation ;
- 3、Custom designs available of other special attenuators ;
- 4、Pay attention to the direction of the product during use and strictly prohibit reverse connection.