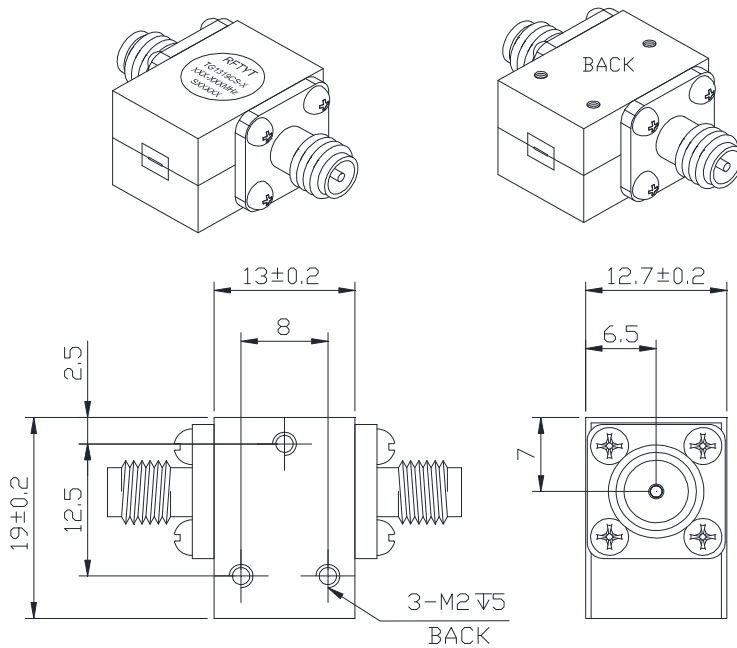


8.0 to 12.0GHz Coaxial Isolator

TG1319CS SMA Type

Outline Drawing (mm): 



Features:

- ◇ Good temperature stability
- ◇ Withstand high power
- ◇ RoHS compliant
- ◇ Weight : ≈ 20 g

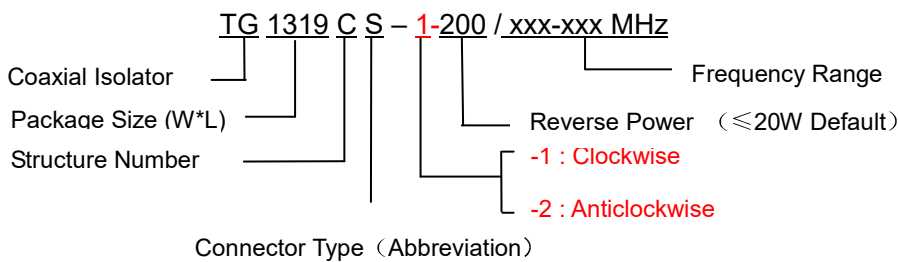
Material list:

- ◇ Cavity: aluminum conductive oxidation
- ◇ Housing: Industrial pure iron nickel plated
- ◇ Conductor: silver plated brass

Application:

- ◇ Rf amplifier final stage, protect the amplifier
- ◇ Digital communication
- ◇ Satellite communication
- ◇ Mobile communication

Order Examples:



Connector Type:

SMA Type Connector Options			N Type Connector Options		
Port 1	Port 2	Abbreviation	Port 1	Port 2	Abbreviation
SMA-F	SMA-F	S	N-F	N-F	N
SMA-F	SMA-M	SKJ	N-M	N-F	NJK
SMA-M	SMA-F	SJK	N-F	N-M	NKJ
SMA-M	SMA-M	SJ	N-M	N-M	NJ

Basic Specifications :

Impedance	50 Ω
Connector Type	SMA-F
Size(mm)	13.0*19.0*12.7
Operating Temp	-10~+60 $^{\circ}$ C
Storage temperature	-50~+90 $^{\circ}$ C

Specifications :

Model No. (X=1: \rightarrow Clockwise) (X=2: \leftarrow Anticlockwise)	Freq. Range GHz	IL. dB (max)	Isolation dB (min)	VSWR	Forward Power CW	Reverse Power W
TG1319CS-X/8.0-12.0GHz	8.0-12.0	0.50	18.0	1.30	30	10
TG1319CS-X/8.0-12.4GHz	8.0-12.4	0.60	16.0	1.40	30	10

Instructions:

- 1, The isolator connector can be selected SMA male and female head, through the wall connection can be used with the user;
- 2, The reflected power is only 10W option;
- 3, Only some common frequencies in the table, can be produced according to the user's requirements;
- 4, If you do not find what you are looking for, please contact us!