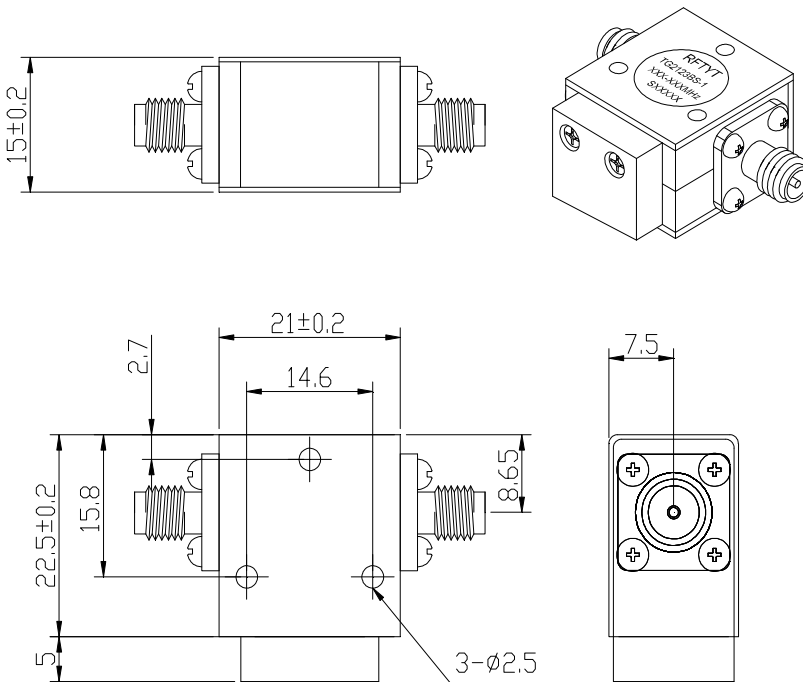


## 4.0 to 8.0GHz Coaxial Isolator

### TG2123BS SMA Type

#### Outline Drawing (mm):



#### Features:

- ◇ Good temperature stability
- ◇ Withstand high power
- ◇ RoHS compliant
- ◇ Weight :  $\approx$  32 g

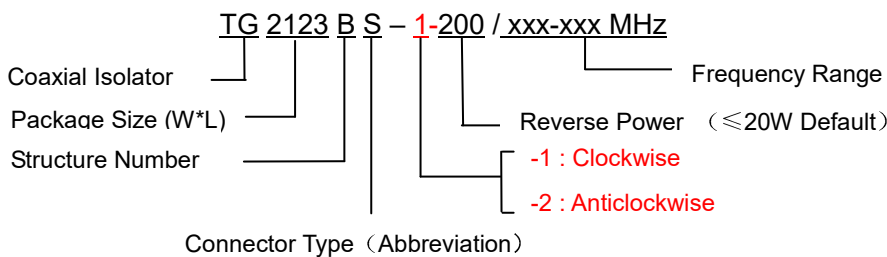
#### Material list:

- ◇ Cavity: aluminum conductive oxidation
- ◇ Outer shell: industrial pure iron nickel plating
- ◇ Guide body: Silver plated brass
- ◇ Load chamber: aluminum conductive oxidation

#### Application:

- ◇ Rf amplifier final stage, protect the amplifier
- ◇ Digital communication
- ◇ Satellite communication
- ◇ Mobile communication

#### Order Examples :



#### Connector Type:

SMA Type Connector Options			N Type Connector Options		
Port 1	Port 2	Abbreviation	Port 1	Port 2	Abbreviation
SMA-F	SMA-F	S	N-F	N-F	N
SMA-F	SMA-M	SKJ	N-M	N-F	NJK
SMA-M	SMA-F	SJK	N-F	N-M	NKJ
SMA-M	SMA-M	SJ	N-M	N-M	NJ

### Basic Specifications :

Impedance	50 $\Omega$
Connector Type	SMA-F
Size(mm)	21.0*22.5*15.0
Operating Temp	-10~+60 $^{\circ}$ C
Storage temperature	-30~+70 $^{\circ}$ C

### Specifications :

Model No. (X=1: $\rightarrow$ Clockwise) (X=2: $\leftarrow$ Anticlockwise)	Freq. Range GHz	IL. dB (max)	Isolation dB (min)	VSWR	Forward Power CW	Reverse Power W
TG2123BS-X/4.0-8.0 GHz	4.0-8.0	0.60	18.0	1.30	100	20

### Instructions:

- 1, The isolator connector can be selected SMA male and female head, through the wall connection can be used with the user;
- 2, Reflection power only 20W option;
- 3, Only some common frequencies in the table, can be produced according to the user's requirements;
- 4, If you do not find what you are looking for, please contact us!