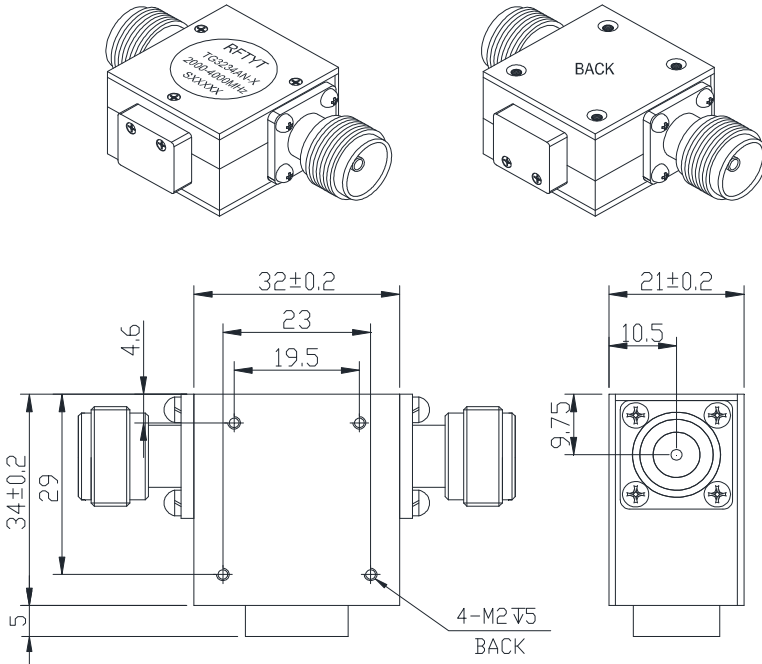


## 2.0 to 4.0GHz Coaxial Isolator

TG3234AN N Type (Screw Hole Installation)

Outline Drawing (mm): 



### Features:

- ◇ Good temperature stability
- ◇ Withstand high power
- ◇ RoHS compliant
- ◇ Weight :  $\approx$  105 g

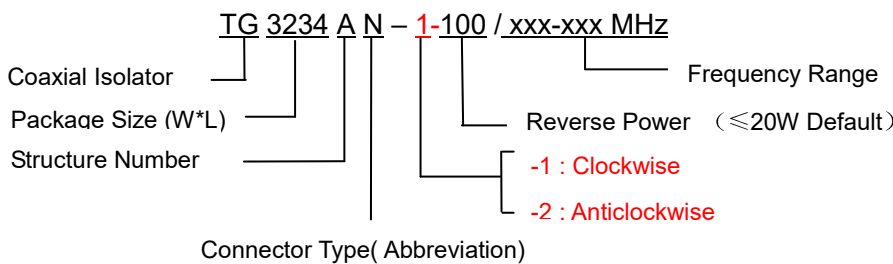
### Material list:

- ◇ Cavity: aluminum conductive oxidation
- ◇ Outer shell: industrial pure iron nickel plating
- ◇ Guide body: Silver plated brass
- ◇ Load chamber: aluminum conductive oxidation

### Application:

- ◇ Rf amplifier final stage, protect the amplifier
- ◇ Digital communication
- ◇ Satellite communication
- ◇ Mobile communication

### Order Examples :



### Connector Type:

SMA Type Connector Options			N Type Connector Options		
Port 1	Port 2	Abbreviation	Port 1	Port 2	Abbreviation
SMA-F	SMA-F	S	N-F	N-F	N
SMA-F	SMA-M	SKJ	N-M	N-F	NJK
SMA-M	SMA-F	SJK	N-F	N-M	NKJ
SMA-M	SMA-M	SJ	N-M	N-M	NJ

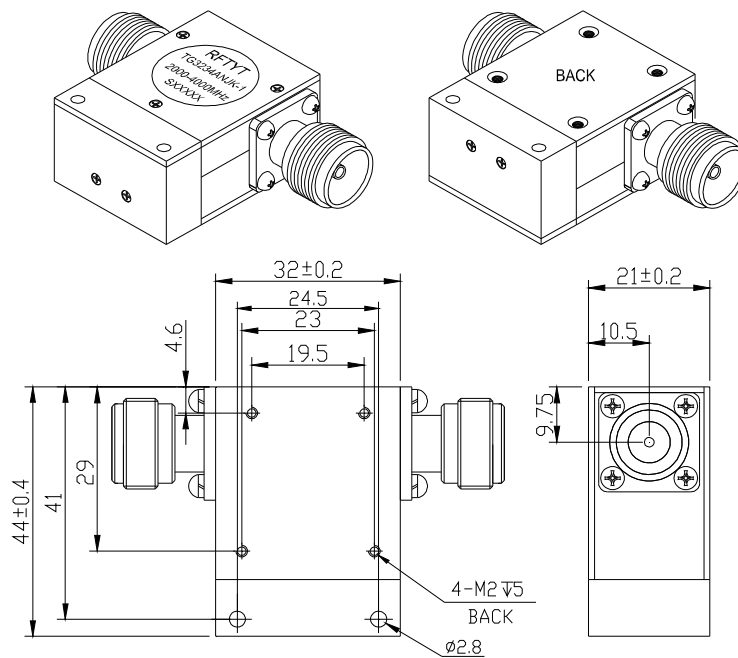
**Basic Specifications :**

Impedance	50 Ω
Connector Type	N-F
Size(mm)	32.0*34.0*21.0
Operating Temp	-10~+60℃
Storage temperature	-50~+90℃

**Specifications :**

Model No. (X=1: →Clockwise) (X=2: ←Anticlockwise)	Freq. Range GHz	IL. dB (max)	Isolation dB (min)	VSWR	Forward Power CW	Reverse Power W
TG3234AN-X/2000-4000MHZ	2.0-4.0	0.50	18.0	1.30	150	20/100

Reflected power 100W size diagram



The reflected power of this figure is 100W, the indicators are the same as the table, model TG3234AN-X-100/2000-4000MHZ

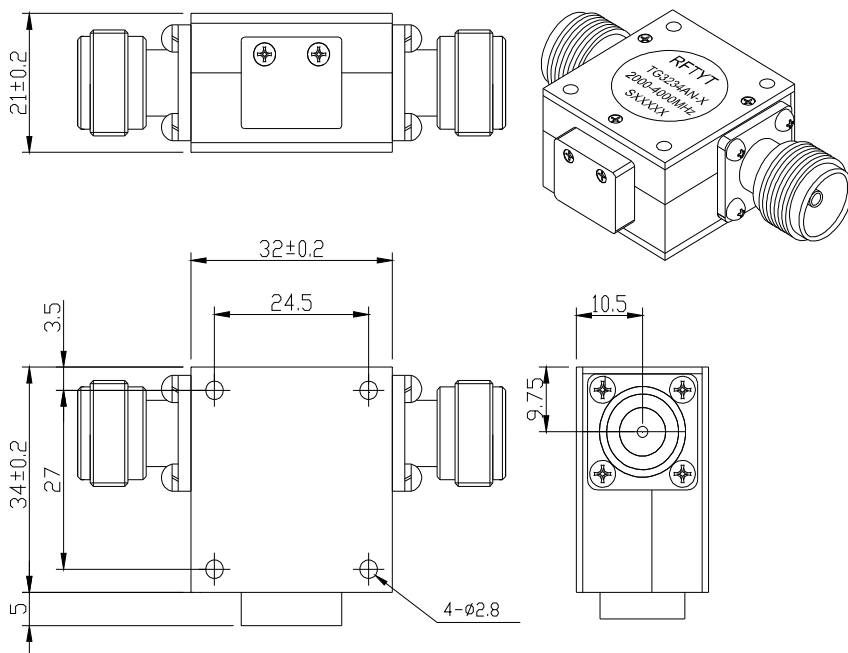
**Instructions:**

- 1, The isolator connector can be selected SMA, N, male and female head can be used with the user;
- 2, The reflection power is commonly used 20W and 100W options, you can also configure the total reflection power according to user requirements;
- 3, Only some common frequencies in the table, can be produced according to the user's requirements;
- 4, If you do not find what you are looking for, please contact us!

## 2.0 to 4.0GHz Coaxial Isolator

TG3234BN N Type (Through Hole Installation)

Outline Drawing (mm): 



### Features:

- ◇ Good temperature stability
- ◇ Withstand high power
- ◇ RoHS compliant
- ◇ Weight :  $\approx 105$  g

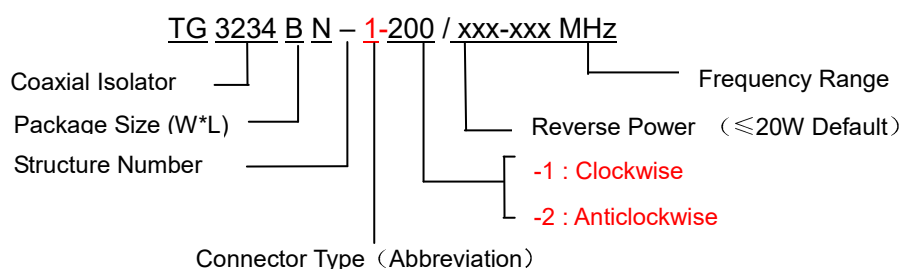
### Material list:

- ◇ Cavity: aluminum conductive oxidation
- ◇ Outer shell: industrial pure iron nickel plating
- ◇ Guide body: Silver plated brass
- ◇ Load chamber: aluminum conductive oxidation

### Application:

- ◇ Frequency amplifier final stage, protect the power amplifier
- ◇ Digital communication
- ◇ Satellite communication
- ◇ Mobile communication

### Order Examples :



### Connector Type:

SMA Type Connector Options			N Type Connector Options		
Port 1	Port 2	Abbreviation	Port 1	Port 2	Abbreviation
SMA-K	SMA-K	S	N-K	N-K	N
SMA-K	SMA-J	SKJ	N-J	N-K	NJK
SMA-J	SMA-K	SJK	N-K	N-J	NKJ
SMA-J	SMA-J	SJ	N-J	N-J	NJ

### Basic Specifications :

E-mail: Jackson@rftyt.com <http://www.rftyt.com>

TEL: +86-816-2846565 (M): +86-13088268828

677# Tangfang Road, Jingkai Dist, Mianyang City, Sichuan Province China

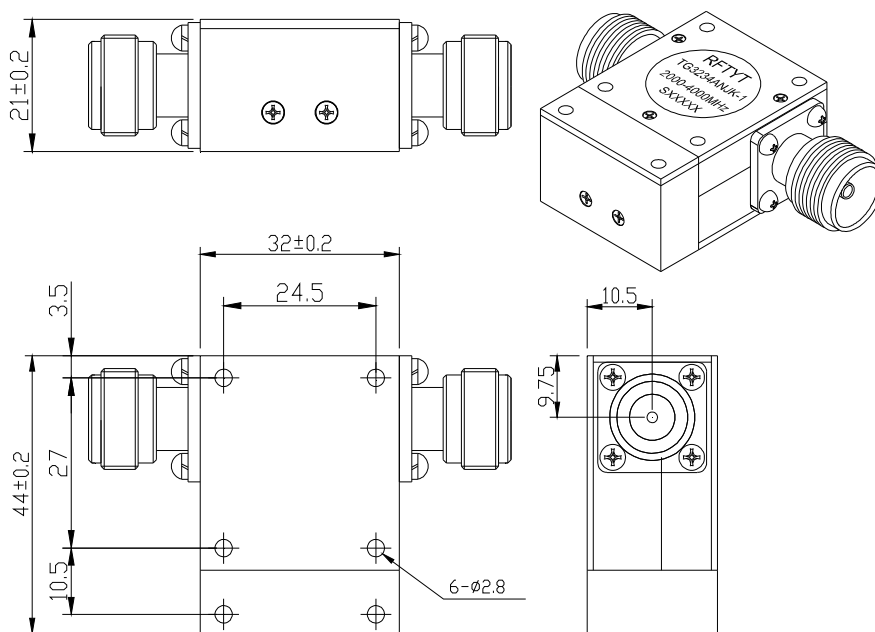
**Ready For Tackling Your Trouble**

Impedance	50 Ω
Connector Type	N-K
Size(mm)	32.0*34.0*21.0
Operating Temp	-10~+60℃
Storage temperature	-50~+90 ℃

### Specifications:

Model No. (X=1: →Clockwise) (X=2: ←Anticlockwise)	Freq. Range GHz	IL. dB (max)	Isolation dB (min)	VSWR	Forward Power CW	Reverse Power W
TG3234BN-X/2000-4000MHz	2.0-4.0	0.60	18.0	1.30	150	20/100

### Reflected power 100W size diagram



The reflected power of this figure is 100W, the specifications are the same as the table, model TG3234BN-X-100/2000-4000MHz

### Instructions:

- 1, The isolator connector can be selected SMA, N, male and female head can be used with the user;
- 2, The reflection power is commonly used 20W and 100W options, you can also configure the total reflection power according to user requirements;
- 3, Only some common frequencies in the table, can be produced according to the user's requirements;
- 4, If you do not find what you are looking for, please contact us!