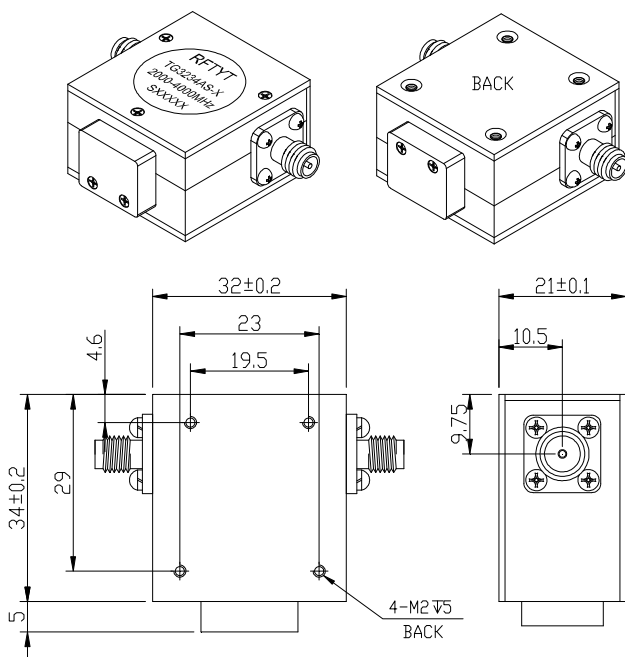


2.0 to 4.0GHz Coaxial Isolator

TG3234AS SMA Type (Screw Hole Installation)

Outline Drawing (mm): 



Features:

- ◇ Good temperature stability
- ◇ Withstand high power
- ◇ RoHS compliant
- ◇ Weight : \approx 100 g

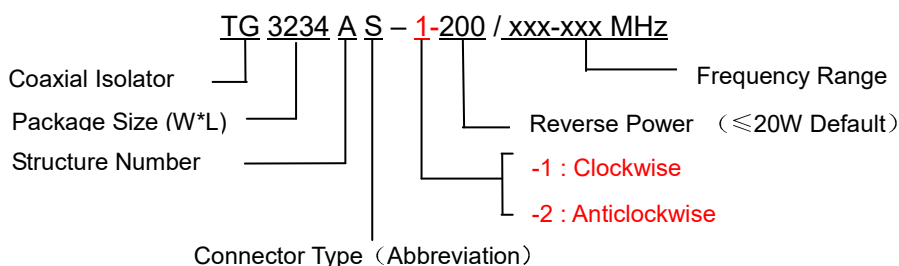
Material list:

- ◇ Cavity: aluminum conductive oxidation
- ◇ Outer shell: industrial pure iron nickel plating
- ◇ Guide body: Silver plated brass
- ◇ Load chamber: aluminum conductive oxidation

Application:

- ◇ Frequency amplifier final stage, protect the power amplifier
- ◇ Digital communication
- ◇ Satellite communication
- ◇ Mobile communication

Order Examples :



Connector Type:

SMA Type Connector Options			N Type Connector Options		
Port 1	Port 2	Abbreviation	Port 1	Port 2	Abbreviation
SMA-F	SMA-F	S	N-F	N-F	N
SMA-F	SMA-M	SKJ	N-M	N-F	NJK
SMA-M	SMA-F	SJK	N-F	N-M	NKJ
SMA-M	SMA-M	SJ	N-M	N-M	NJ

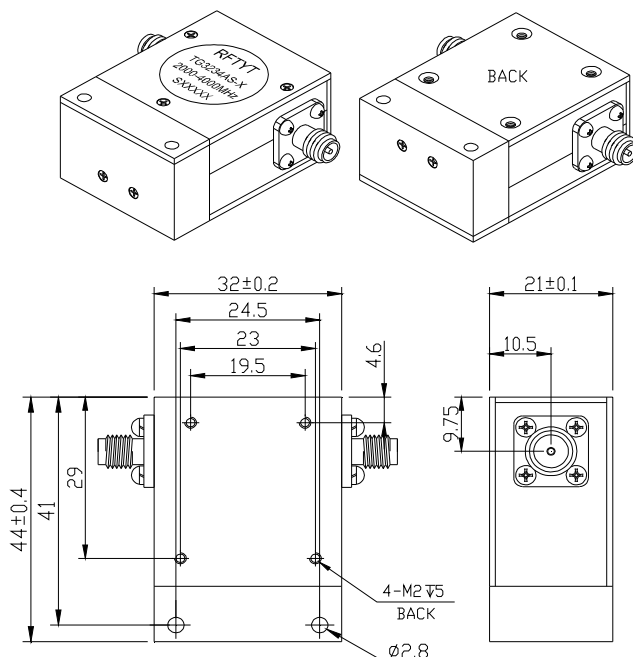
Basic Specifications :

Impedance	50 Ω
Connector Type	SMA-F
Size(mm)	32.0*34.0*21.0
Operating Temp	-10~+60℃
Storage temperature	-50~+90℃

Specifications :

Model No. (X=1: →Clockwise) (X=2: ←Anticlockwise)	Freq. Range GHz	IL. dB (max)	Isolation dB (min)	VSWR	Forward Power CW	Reverse Power W
TG3234AS-X/2000-4000MHz	2.0-4.0	0.50	18.0	1.30	150	20/100

Reflected power 100W size diagram



The reflected power of this figure is 100W, the specifications are the same as the table, model TG3234AS-X-100/2000-4000MHz

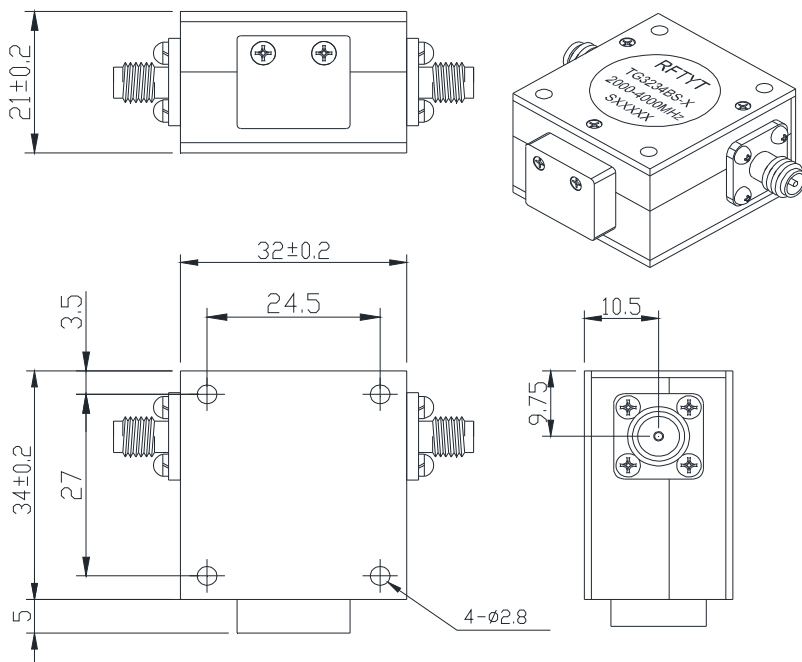
Instructions:

- 1, The isolator connector can be selected SMA, N, male and female head can be used with the user;
- 2, The reflection power is commonly used 20W and 100W options, you can also configure the total reflection power according to user requirements;
- 3, Only some common frequencies in the table, can be produced according to the user's requirements;
- 4, If you do not find what you are looking for, please contact us!

2.0 to 4.0GHz Coaxial Isolator

TG3234BS SMA Type (Through Hole Installation)

Outline Drawing (mm): 



Features:

- ✧ Good temperature stability
- ✧ Withstand high power
- ✧ RoHS compliant
- ✧ Weight : ≈ 100 g

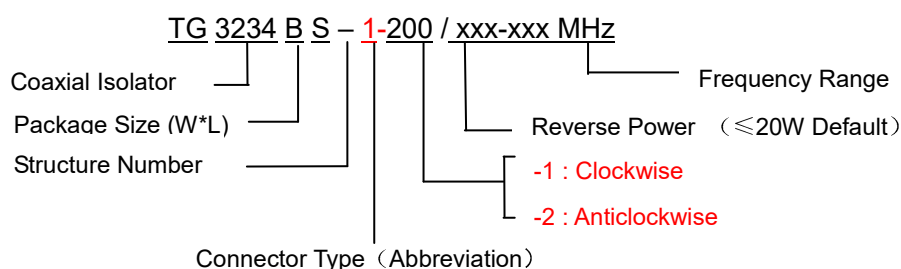
Material list:

- ✧ Cavity: aluminum conductive oxidation
- ✧ Outer shell: industrial pure iron nickel plating
- ✧ Guide body: Silver plated brass
- ✧ Load chamber: aluminum conductive oxidation

Application:

- ✧ Frequency amplifier final stage, protect the power amplifier
- ✧ Digital communication
- ✧ Satellite communication
- ✧ Mobile communication

Order Examples:



Connector Type:

SMA Type Connector Options			N Type Connector Options		
Port 1	Port 2	Abbreviation	Port 1	Port 2	Abbreviation
SMA-F	SMA-F	S	N-F	N-F	N
SMA-F	SMA-M	SKJ	N-M	N-F	NJK
SMA-M	SMA-F	SJK	N-F	N-M	NKJ
SMA-M	SMA-M	SJ	N-M	N-M	NJ

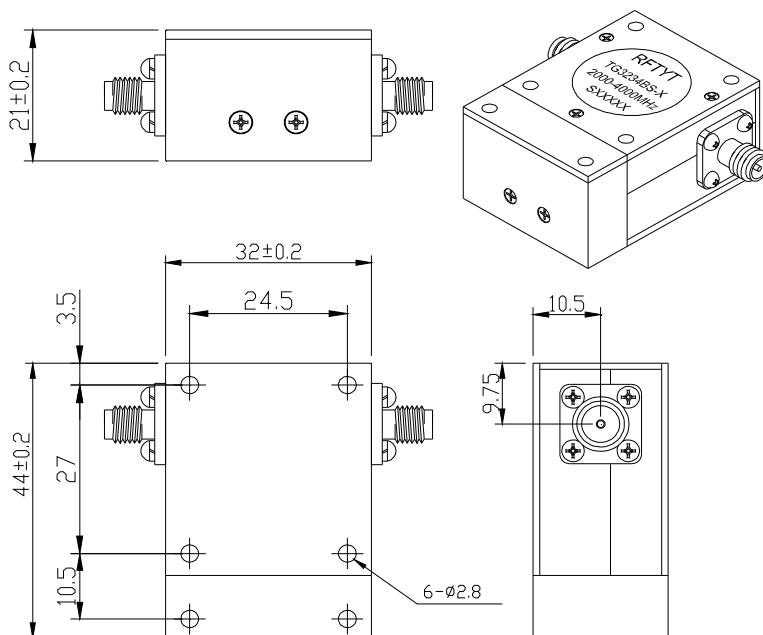
Basic Specifications :

Impedance	50 Ω
Connector Type	SMA-F
Size(mm)	32.0*34.0*21.0
Operating Temp	-10~+60 $^{\circ}$ C
Storage temperature	-50~+90 $^{\circ}$ C

Specifications :

Model No. (X=1: \rightarrow Clockwise) (X=2: \leftarrow Anticlockwise)	Freq. Range GHz	IL. dB (max)	Isolation dB (min)	VSWR	Forward Power CW	Reverse Power W
TG3234BS-X/2000-4000MHz	2.0-4.0	0.50	18.0	1.30	150	20/100

Reflected power 100W size diagram



The reflected power of this figure is 100W, the specifications are the same as the table, model TG3234BS-X-100/2000-4000MHz

Instructions:

- 1, The isolator connector can be selected SMA, N, male and female head can be used with the user;
- 2, The reflection power is commonly used 20W and 100W options, you can also configure the total reflection power according to user requirements;
- 3, Only some common frequencies in the table, can be produced according to the user's requirements;
- 4, If you do not find what you are looking for, please contact us!