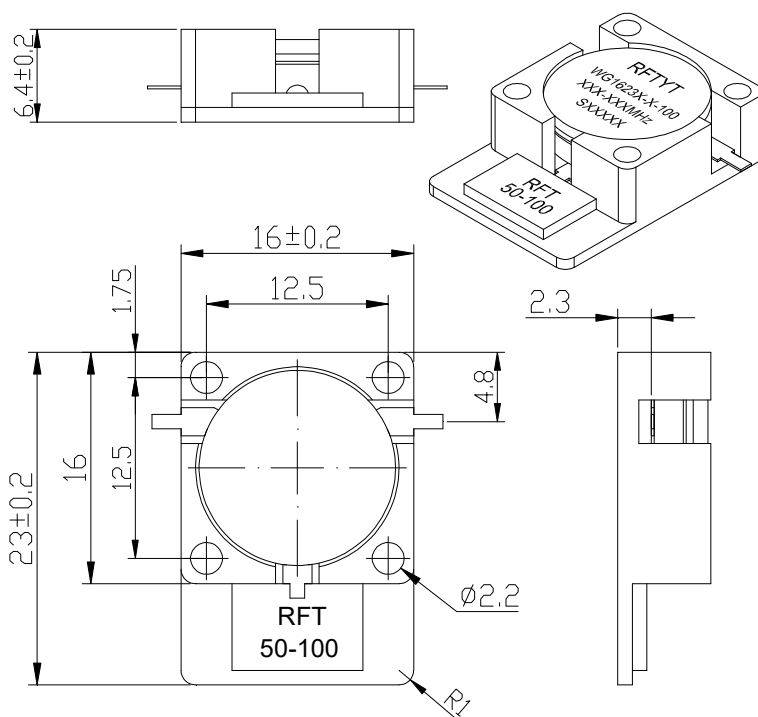


3.8 to 8.0GHz Drop in Isolator

WG1623X Drop-In

Outline Drawing (mm):



Features:

- ◇ Good temperature stability
- ◇ Withstand high power
- ◇ RoHS compliant
- ◇ Weight : ≈ 55 g

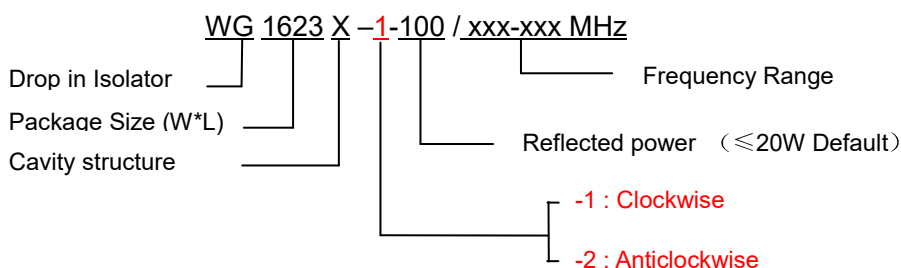
Material list:

- ◇ Shell: industrial pure iron nickel plating
- ◇ Guide body: Silver plated brass
- ◇ Load: Beryllium oxide resistor

Application:

- ◇ Rf amplifier final stage, protect the amplifier
- ◇ Digital communication
- ◇ Satellite communication
- ◇ Mobile communication

Order Examples :



Basic Specifications :

Impedance	50 Ω
Connection type	Drop-In
Size(mm)	16.0*23.0*6.4
Operating Temp	-40~+80 $^{\circ}$ C
Storage temperature	-50~+90 $^{\circ}$ C

Specifications:

Model No. (X=1: →Clockwise) (X=2: ←Anticlockwise)	Freq. Range GHz	IL. dB (max)	Isolation dB (min)	VSWR	Forward Power CW	Reverse Power W
WG1623X-X-100/3800-8000MHz	3.8-8.0	0.9@3.8-4.0 0.7@4.0-8.0	14@3.8-4.0 16@4.0-8.0	1.7@3.8-4.0 1.5@4.0-8.0	100	100

Instructions:

- 1, The isolator reflected power 100W;
- 2, Only some common frequencies in the table, can be produced according to user requirements;
- 3, Embedded isolator, please use stainless steel or brass screws when installing;
- 4, If you do not find the frequency you want, please contact us!