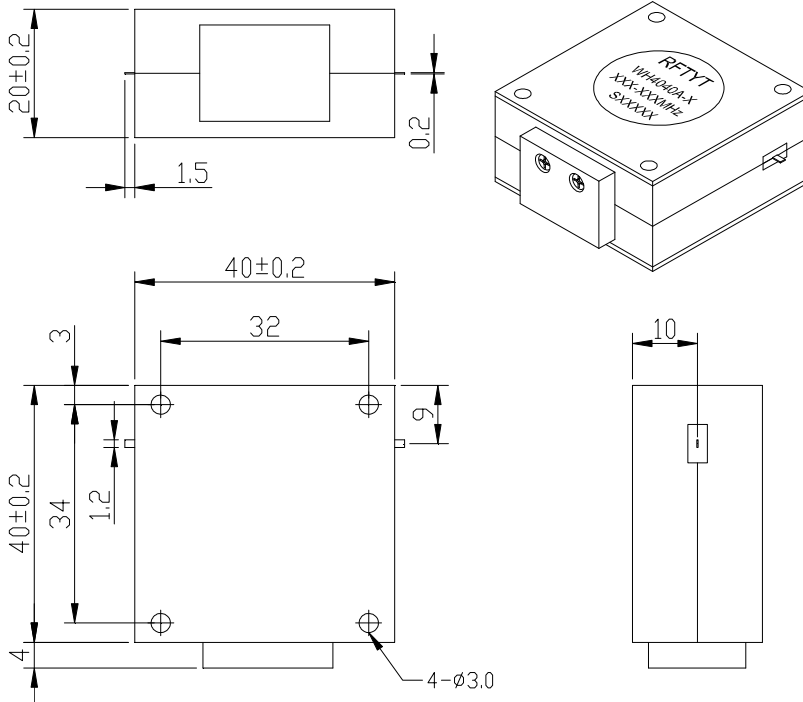


1.5 to 3.5GHz Drop in Isolator

WG4040A Drop-In



Outline Drawing (mm):



Features:

- ◇ Good temperature stability
- ◇ Withstand high power
- ◇ RoHS compliant
- ◇ Weight : ≈ 190 g

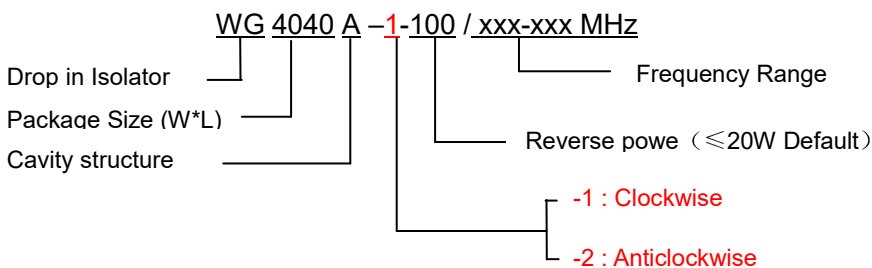
Material list:

- ◇ Cavity: aluminum conductive oxidation
- ◇ Housing: Industrial pure iron nickel plated
- ◇ Conductor: silver plated brass
- ◇ Load chamber: aluminum conductive oxidation

Application:

- ◇ Rf amplifier final stage, protect the amplifier
- ◇ Digital communication
- ◇ Satellite communication
- ◇ Mobile communication

Order Examples :



Basic Specifications :

Impedance	50 Ω
Connection type	Drop-In
Size(mm)	40.0*40.0*20.0
Operating Temp	-10~+60 $^{\circ}$ C
Storage temperature	-50~+90 $^{\circ}$ C

Specifications:

Model No. (X=1: →Clockwise) (X=2: ←Anticlockwise)	Freq. Range GHz	IL. dB (max)	Isolation dB (min)	VSWR	Forward Power CW	Reverse Power W
WG4040A-X/1.5-3.0GHz	1.5-3.0	0.70	17.0	1.35	100	20/100
WG4040A-X/1.8-3.6GHz	1.8-3.6	0.70	17.0	1.35	100	20/100

Instructions:

- 1, The isolator reflected power of 20W, can also be done according to customer requirements 100W;
- 2, Only some common frequencies in the table, can be produced according to user requirements;
- 3, Embedded isolator, please use stainless steel or brass screws when installing;
- 4, If you do not find the frequency you want, please contact us!