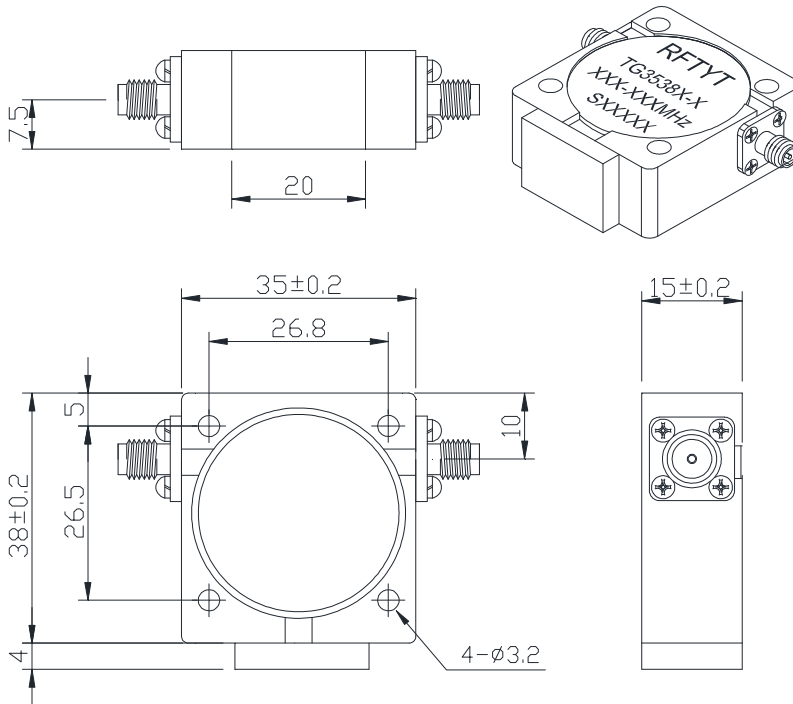


## 300 to 1800MHz Coaxial Isolator

### TG3538XS SMA Type

#### Outline Drawing (mm):



#### Features:

- ◇ Good temperature stability
- ◇ Withstand high power
- ◇ RoHS compliant
- ◇ Weight :  $\approx$  110 g

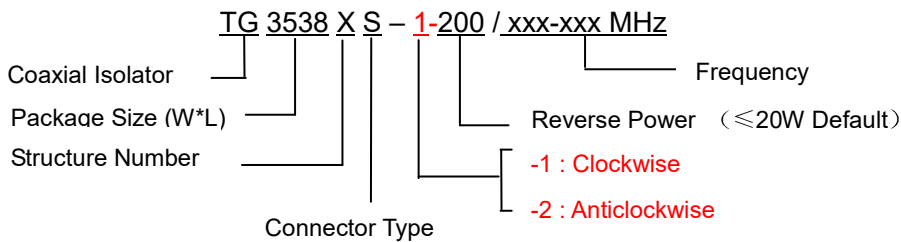
#### Material list:

- ◇ Shell: easy to cut iron plated nickel
- ◇ Inner conductor: silver plated brass
- ◇ Load cover: aluminum  
conductive oxidation

#### Application:

- ◇ Rf amplifier final stage, protect the amplifier
- ◇ Small capacity microwave relay communication
- ◇ Tropospheric scatter communication
- ◇ UHF application
- ◇ GSM/CDMA/TD-SCDMA/WCDMA  
EGSM/Wimax/TD-LTE/AMPS/SMR  
5G and other communication systems

#### Order Examples:



#### Connector Type:

SMA Type Connector Options			N Type Connector Options		
Port 1	Port 2	Abbreviation	Port 1	Port 2	Abbreviation
SMA-F	SMA-F	S	N-F	N-F	N
SMA-F	SMA-M	SKJ	N-F	N-M	NKJ
SMA-M	SMA-F	SJK	N-M	N-F	NJK
SMA-M	SMA-M	SJ	N-M	N-M	NJ

**Basic Specifications :**

Impedance	50 $\Omega$
Connector Type	SMA-F
Size(mm)	35.0*38.0*15.0
Operating Temp	-30~+70℃/-40~+85℃
Storage temperature	-50~+90℃

**Specifications :**

Model No. (X=1: →Clockwise) (X=2: ←Anticlockwise)	Freq. Range MHz	IL dB (max)	Isolation dB (min)	VSWR	Forward Power CW	Reverse Power W
TG3538XS-X/300-320MHz	300-320	0.60	20.0	1.25	150	20/100
TG3538XS-X/300-350MHz	300-350	0.80	18.0	1.35	150	20/100
TG3538XS-X/310-340MHz	310-340	0.50	20.0	1.25	150	20/100
TG3538XS-X/320-340MHz	320-340	0.45	20.0	1.25	150	20/100
TG3538XS-X/350-370MHz	350-370	0.40	20.0	1.25	150	20/100
TG3538XS-X/350-400MHz	350-400	0.50	19.0	1.25	150	20/100
TG3538XS-X/361-366MHz	361-366	0.30	23.0	1.20	150	20/100
TG3538XS-X/370-420MHz	370-420	0.50	19.0	1.25	150	20/100
TG3538XS-X/380-410MHz	380-410	0.40	20.0	1.25	150	20/100
TG3538XS-X/380-460MHz	380-460	0.50	18.0	1.30	150	20/100
TG3538XS-X/390-410MHz	390-410	0.30	23.0	1.20	150	20/100
TG3538XS-X/400-420MHz	400-420	0.30	23.0	1.20	150	20/100
TG3538XS-X/400-440MHz	400-440	0.40	20.0	1.25	150	20/100
TG3538XS-X/400-450MHz	400-450	0.40	20.0	1.25	150	20/100
TG3538XS-X/400-470MHz	400-470	0.40	20.0	1.25	150	20/100
TG3538XS-X/400-500MHz	400-500	0.50	19.0	1.25	150	20/100
TG3538XS-X/410-460MHz	410-460	0.40	20.0	1.25	150	20/100
TG3538XS-X/420-430MHz	420-430	0.30	25.0	1.15	150	20/100
TG3538XS-X/420-450MHz	420-450	0.30	23.0	1.20	150	20/100



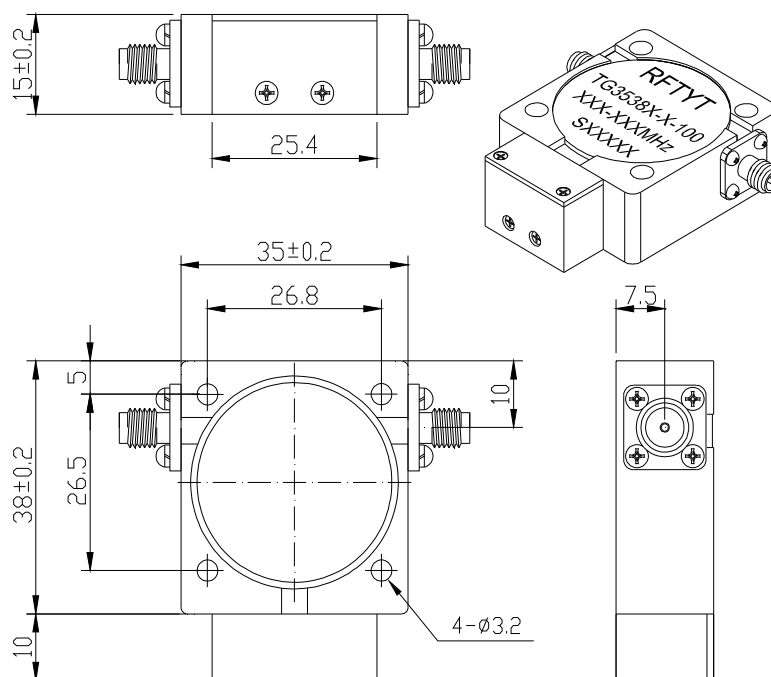
Model No. (X=1: →Clockwise) (X=2: ←Anticlockwise)	Freq. Range MHz	IL dB (max)	Isolation dB (min)	VSWR	Forward Power CW	Reverse Power W
TG3538XS-X/420-480MHz	420-480	0.40	20.0	1.25	150	20/100
TG3538XS-X/430-440MHz	430-440	0.30	23.0	1.20	150	20/100
TG3538XS-X/430-470MHz	430-470	0.40	20.0	1.25	150	20/100
TG3538XS-X/440-470MHz	440-470	0.30	23.0	1.20	150	20/100
TG3538XS-X/450-456MHz	450-456	0.25	25.0	1.15	150	20/100
TG3538XS-X/450-500MHz	450-500	0.40	20.0	1.25	150	20/100
TG3538XS-X/450-520MHz	450-520	0.40	20.0	1.25	150	20/100
TG3538XS-X/450-550MHz	450-550	0.40	20.0	1.25	150	20/100
TG3538XS-X/455-465MHz	455-465	0.25	25.0	1.15	150	20/100
TG3538XS-X/459-486MHz	459-486	0.30	23.0	1.20	150	20/100
TG3538XS-X/470-490MHz	470-490	0.30	23.0	1.20	150	20/100
TG3538XS-X/470-530MHz	470-530	0.40	20.0	1.20	150	20/100
TG3538XS-X/470-570MHz	470-570	0.40	20.0	1.25	150	20/100
TG3538XS-X/470-610MHz	470-610	0.50	18.0	1.30	150	20/100
TG3538XS-X/475-525MHz	475-525	0.30	23.0	1.20	150	20/100
TG3538XS-X/495-516MHz	495-516	0.30	23.0	1.20	150	20/100
TG3538XS-X/500-600MHz	500-600	0.40	20.0	1.20	150	20/100
TG3538XS-X/500-700MHz	500-700	0.70	17.0	1.35	150	20/100
TG3538XS-X/570-670MHz	570-670	0.30	23.0	1.20	150	20/100
TG3538XS-X/580-720MHz	580-720	0.40	19.0	1.25	150	20/100
TG3538XS-X/600-700MHz	600-700	0.40	20.0	1.25	150	20/100
TG3538XS-X/600-800MHz	600-800	0.50	18.0	1.30	150	20/100
TG3538XS-X/670-770MHz	670-770	0.30	23.0	1.20	150	20/100
TG3538XS-X/690-860MHz	690-860	0.40	20.0	1.20	150	20/100
TG3538XS-X/700-800MHz	700-800	0.30	23.0	1.20	150	20/100
TG3538XS-X/700-862MHz	700-862	0.40	20.0	1.25	150	20/100



Model No. (X=1: →Clockwise) (X=2: ←Anticlockwise)	Freq. Range MHz	IL dB (max)	Isolation dB (min)	VSWR	Forward Power CW	Reverse Power W
TG3538XS-X/700-900MHz	700-900	0.40	20.0	1.25	150	20/100
TG3538XS-X/703-862MHz	703-862	0.40	20.0	1.25	150	20/100
TG3538XS-X/750-950MHz	750-950	0.40	20.0	1.25	150	20/100
TG3538XS-X/770-860MHz	770-860	0.30	23.0	1.20	150	20/100
TG3538XS-X/800-1000MHz	800-1000	0.40	20.0	1.25	150	20/100
TG3538XS-X/854-921MHz	854-921	0.30	23.0	1.20	150	20/100
TG3538XS-X/860-872MHz	860-872	0.25	25.0	1.15	150	20/100
TG3538XS-X/862-960MHz	862-960	0.30	23.0	1.20	150	20/100
TG3538XS-X/900-930MHz	900-930	0.25	25.0	1.15	150	20/100
TG3538XS-X/900-1000MHz	900-1000	0.30	23.0	1.20	150	20/100
TG3538XS-X/900-1100MHz	900-1100	0.40	20.0	1.25	150	20/100
TG3538XS-X/900-1300MHz	900-1300	0.50	19.0	1.25	150	20/100
TG3538XS-X/950-1000MHz	950-1000	0.30	23.0	1.20	150	20/100
TG3538XS-X/950-1260MHz	950-1260	0.40	20.0	1.25	150	20/100
TG3538XS-X/950-1280MHz	950-1280	0.50	20.0	1.25	150	20/100
TG3538XS-X/950-1450MHz	950-1450	0.60	17.0	1.35	150	20/100
TG3538XS-X/960-1160MHz	960-1160	0.40	20.0	1.25	150	20/100
TG3538XS-X/960-1215MHz	960-1215	0.40	20.0	1.25	150	20/100
TG3538XS-X/960-1260MHz	960-1260	0.40	20.0	1.25	150	20/100
TG3538XS-X/1000-1100MHz	1000-1100	0.30	23.0	1.20	150	20/100
TG3538XS-X/1000-1500MHz	1000-1500	0.60	18.0	1.30	150	20/100
TG3538XS-X/1015-1045MHz	1015-1045	0.25	23.0	1.15	150	20/100
TG3538XS-X/1020-1040MHz	1020-1040	0.25	25.0	1.15	150	20/100
TG3538XS-X/1020-1100MHz	1020-1100	0.25	23.0	1.20	150	20/100
TG3538XS-X/1022-1540MHz	1022-1540	0.60	18.0	1.30	150	20/100
TG3538XS-X/1030-1090MHz	1030-1090	0.25	23.0	1.20	150	20/100

Model No. (X=1: →Clockwise) (X=2: ←Anticlockwise)	Freq. Range MHz	IL dB (max)	Isolation dB (min)	VSWR	Forward Power CW	Reverse Power W
TG3538XS-X/1100-1650MHz	1100-1650	0.60	17.0	1.35	150	20/100
TG3538XS-X/1100-1700MHz	1100-1700	0.60	16.0	1.40	150	20/100
TG3538XS-X/1160-1610MHz	1160-1610	0.50	18.0	1.30	150	20/100
TG3538XS-X/1200-1400MHz	1200-1400	0.30	23.0	1.20	150	20/100
TG3538XS-X/1200-1500MHz	1200-1500	0.40	20.0	1.25	150	20/100
TG3538XS-X/1285-1315MHz	1285-1315	0.20	23.0	1.20	150	20/100
TG3538XS-X/1290-1310MHz	1290-1310	0.20	25.0	1.15	150	20/100
TG3538XS-X/1300-1700MHz	1300-1700	0.50	18.0	1.30	150	20/100
TG3538XS-X/1350-1850MHz	1350-1850	0.50	19.0	1.25	150	20/100
TG3538XS-X/1400-1700MHz	1400-1700	0.40	20.0	1.25	150	20/100
TG3538XS-X/1500-1700MHz	1500-1700	0.30	20.0	1.25	150	20/100

Reflected power 100W size



The reflected power of this figure is 100W, the indicators are shown in the table above, and its model is  
TG3538XS-X-100/XXXX-XXXXMHz

---

**Instructions:**

- 1, the isolator connector can be selected SMA, N, male and female head can be used with the user;
- 2, the reflection power is commonly used 20W and 100W options, you can also configure the total reflection power according to user requirements;
- 3, only some common frequencies in the table, can be produced according to the user's requirements;
- 4, if you do not find what you are looking for, please contact us!