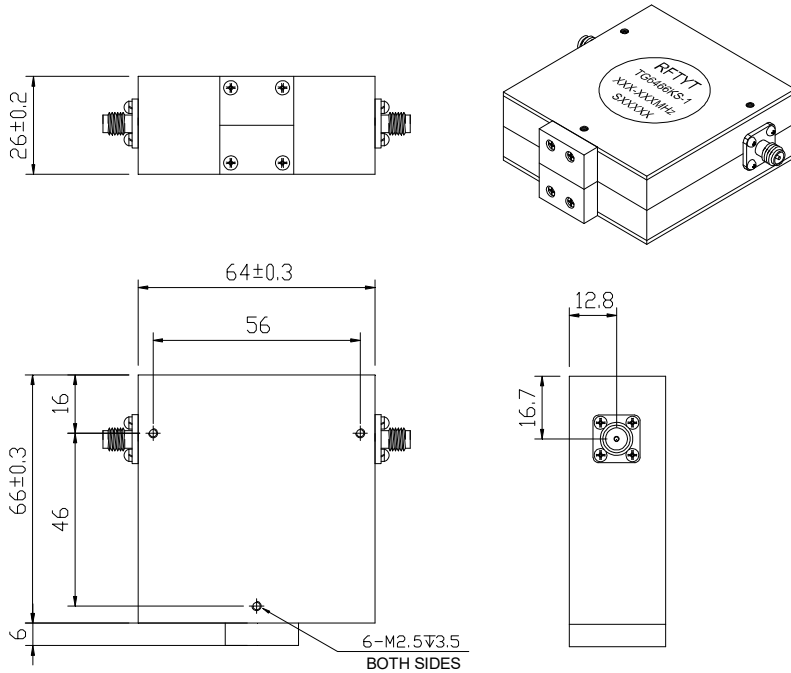


## 0.95 to 2.0GHz Coaxial Isolator

### TG6466KS SMA Type



#### Outline Drawing (mm):



#### Features:

- ◇ Good temperature stability
- ◇ Withstand high power
- ◇ RoHS compliant
- ◇ Weight :  $\approx$  425 g

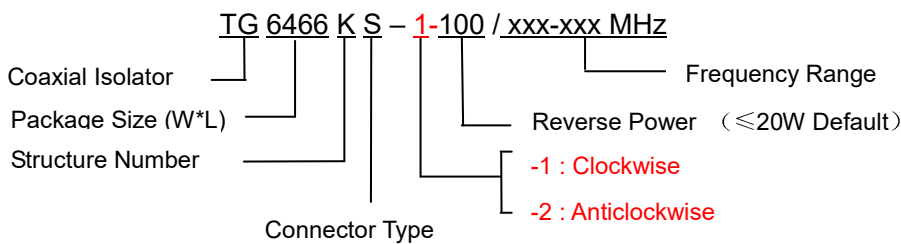
#### Material list:

- ◇ Cavity: aluminum conductive oxidation
- ◇ Housing: Industrial pure iron nickel plated
- ◇ Conductor: silver plated brass
- ◇ Load chamber: aluminum conductive oxidation

#### Application:

- ◇ Rf amplifier final stage, protect the amplifier
- ◇ Digital communication
- ◇ Satellite communication
- ◇ Ionospheric scattering communication
- ◇ Mobile communication
- ◇ Small capacity microwave relay communication

#### Order Examples :



#### Connector Type:

SMA Type Connector Options			N Type Connector Options		
Port 1	Port 2	Abbreviation	Port 1	Port 2	Abbreviation
SMA-F	SMA-F	S	N-F	N-F	N
SMA-F	SMA-M	SKJ	N-F	N-M	NKJ
SMA-M	SMA-F	SJK	N-M	N-F	NJK
SMA-M	SMA-M	SJ	N-M	N-M	NJ

### Basic Specifications :

Impedance	50 Ω
Connector Type	SMA-F
Size(mm)	64.0*66.0*26.0
Operating Temp	-10~+60℃
Storage temperature	-40~+90℃

### Specifications :

Model No. (X=1: →Clockwise) (X=2: ←Anticlockwise)	Freq. Range GHz	IL. dB (max)	Isolation dB (min)	VSWR	Forward Power CW	Reverse Power W
TG6466KS-X-100/950-1700MHz	0.95-1.7	0.70	16.0	1.40	150	100
TG6466KS-X-100/950-2000MHz	0.95-2.0	0.80	16.0	1.40	150	100
TG6466KS-X-100/1000-1700MHz	1.0-1.7	0.70	17.0	1.40	150	100
TG6466KS-X-100/1000-2000MHz	1.0-2.0	0.70	17.0	1.40	150	100

### Instructions:

- 1, the isolator connector can be selected SMA, N, male and female head can be used with the user;
- 2, the reflection power is commonly used 20W and 100W options, you can also configure the total reflection power according to user requirements;
- 3, only some common frequencies in the table, can be produced according to the user's requirements;
- 4, if you do not find what you are looking for, please contact us!