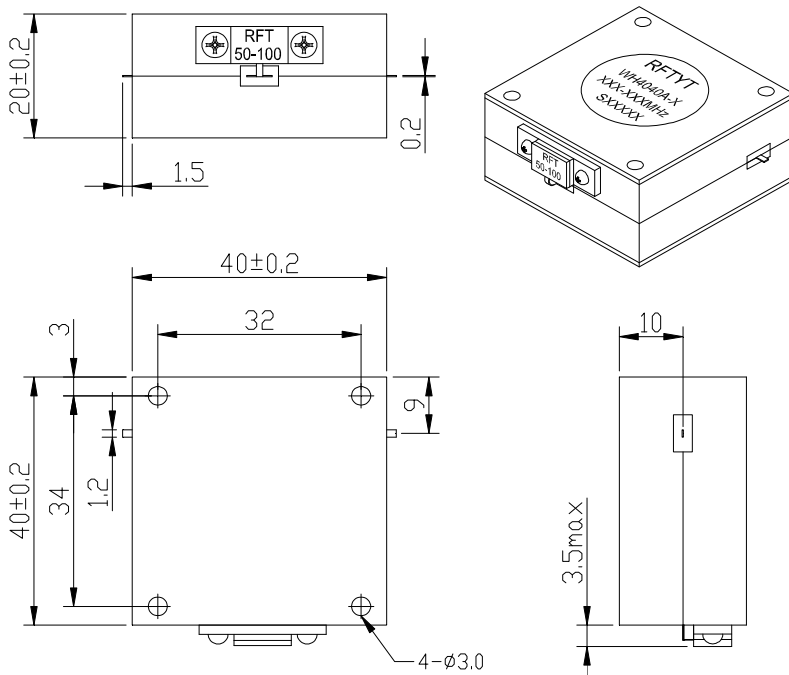


## 1.5 to 3.5GHz Drop in Isolator

### WG4040A Drop-In Type

#### Outline Drawing (mm):



#### Features:

- ◇ Good temperature stability
- ◇ Withstand high power
- ◇ RoHS compliant
- ◇ Weight :  $\approx$  190 g

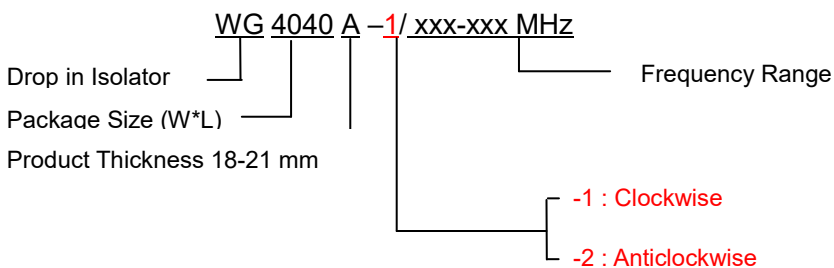
#### Material list:

- ◇ Shell: Steel
- Coating: Bright Nickel
- ◇ Inner conductor: Brass
- Coating: Silver

#### Application:

- ◇ Protect the power amplifier and  
Installed at the end of RF power  
amplifier
- ◇ Transceiver common antenna
- ◇ GSM1800/CDMA/TD-SCDMA/WCD  
MA/EGSM/Wimax/TD-LTE/AMPS/S  
MR 5G and other communication  
systems

#### Order Examples :



#### Basic Specifications :

Impedance	50 $\Omega$
Size(mm)	40.0*40.0*20.0
Operating Temp	-10~+60 $^{\circ}$ C
Storage temperature	-50~+90 $^{\circ}$ C

Specifications:

Model No. (X=1: →Clockwise) (X=2: ←Anticlockwise)	Freq. Range GHz	IL. dB (max)	Isolation dB (min)	VSWR	Forward Power CW	Reverse Power W
WG4040A-X/1.5-3.0GHz	1.5-3.0	0.70	17.0	1.35	150	20/100
WG4040A-X/1.7-2.7GHz	1.7-2.7	0.60	18.0	1.30	150	20/100
WG4040A-X/1.8-2.7GHz	1.8-2.7	0.60	18.0	1.30	150	20/100
WG4040A-X/1.8-3.6GHz	1.8-3.6	0.70	17.0	1.35	150	20/100

**If the frequency range you need is not covered in the form.  
Please contact us for details.**