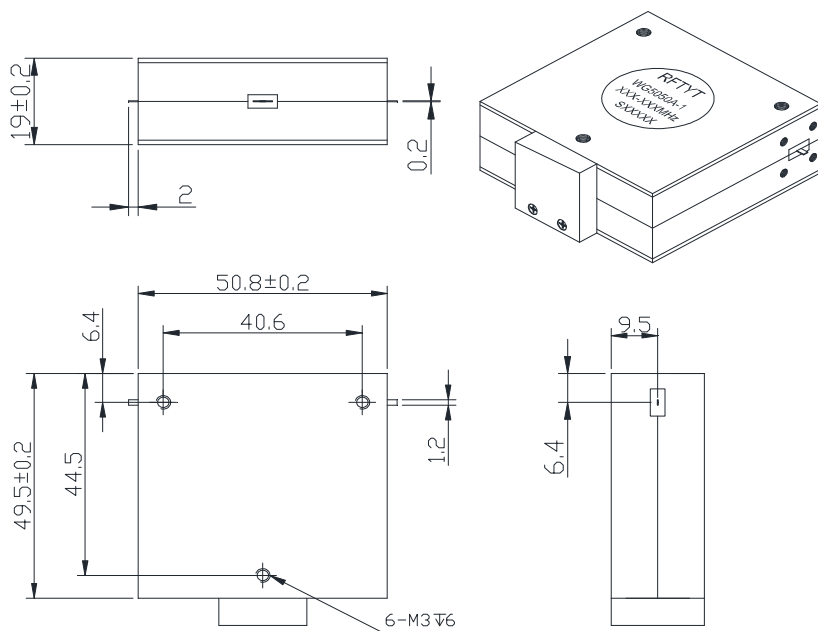
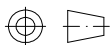


1.35 to 3.0GHz Drop in Isolator

WG5050A Drop-In Type

Outline Drawing (mm):



Features:

- ◇ Good temperature stability
- ◇ Withstand high power
- ◇ RoHS compliant
- ◇ Weight : \approx 190 g

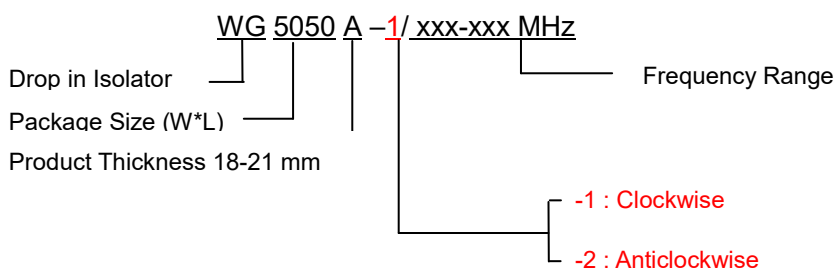
Material list:

- ◇ Shell: Steel
- Coating: Bright Nickel
- ◇ Inner conductor: Brass
- Coating: Silver

Application:

- ◇ Protect the power amplifier and Installed at the end of RF power amplifier
- ◇ Transceiver common antenna
- ◇ GSM1800/CDMA/TD-SCDMA/WCDMA/EGSM/Wimax/TD-LTE/AMPS/SR 5G and other communication systems

Order Examples :



Basic Specifications :

Impedance	50 Ω
Size(mm)	50.8*49.5*19.0
Operating Temp	-10~+60 $^{\circ}$ C
Storage temperature	-50~+90 $^{\circ}$ C



Specifications:

Model No. (X=1: →Clockwise) (X=2: ←Anticlockwise)	Freq. Range GHz	IL. dB (max)	Isolation dB (min)	VSWR	Forward Power CW	Reverse Power W
WG5050A-X/1250-2500MHz	1.25-2.5	0.80	16.0	1.50	150	20/100
WG5050A-X/1350-2700MHz	1.35-2.7	0.60	17.0	1.35	150	20/100
WG5050A-X/1350-2900MHz	1.35-2.9	0.70	16.0	1.50	150	20/100
WG5050A-X/1400-2800MHz	1.4-2.8	0.60	17.0	1.35	150	20/100
WG5050A-X/1500-2500MHz	1.5-2.5	0.50	18.0	1.30	150	20/100
WG5050A-X/1500-3000MHz	1.5-3.0	0.60	17.0	1.35	150	20/100