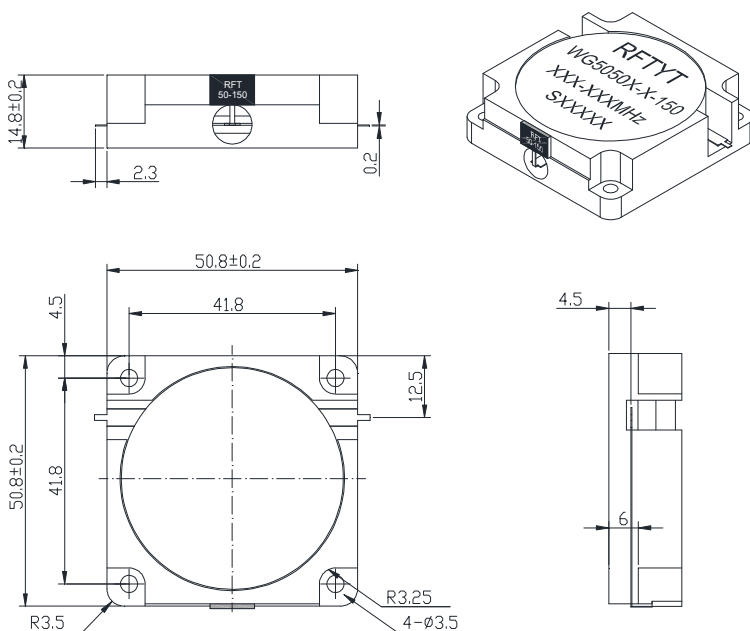
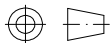


160 to 330MHz Drop in Isolator

WG5050X Drop-In Type

Outline Drawing (mm):



Features:

- ◇ Good temperature stability
- ◇ Withstand high power
- ◇ RoHS compliant
- ◇ Weight : \approx 220 g

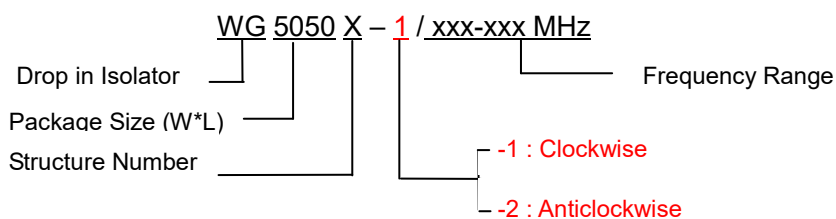
Material list:

- ◇ Shell: Steel
- Coating: Bright Nickel
- ◇ Inner conductor: Brass
- Coating: Silver

Application:

- ◇ Protect the power amplifier and Installed at the end of RF power amplifier
- ◇ Transceiver common antenna
- ◇ Medical, Communication, Security, VHF.

Order Examples:



Basic Specifications:

Impedance	50 Ω
Size(mm)	50.8*50.8*14.8
Operating Temp	-30~+70°C/-40~+85°C
Storage temperature	-50~+90 °C

Specifications:

Model No. (X=1: →Clockwise) (X=2: ←Anticlockwise)	Freq. Range MHz	IL. dB (max)	Isolation dB (min)	VSWR	Forward Power CW	Reverse Power W
WG5050X-X/160-166MHz	160-166	0.70	20.0	1.25	300	20/100/150
WG5050X-X/160-170MHz	160-170	0.90	18.0	1.30	300	20/100/150
WG5050X-X/180-184MHz	180-184	0.50	20.0	1.20	300	20/100/150
WG5050X-X/192-232MHz	192-232	0.60	18.0	1.30	300	20/100/150
WG5050X-X/200-210MHz	200-210	0.40	23.0	1.20	300	20/100/150
WG5050X-X/200-220MHz	200-220	0.40	20.0	1.25	300	20/100/150
WG5050X-X/215-223MHz	215-223	0.40	23.0	1.20	300	20/100/150
WG5050X-X/217-223MHz	217-223	0.40	23.0	1.20	300	20/100/150
WG5050X-X/220-240MHz	220-240	0.40	20.0	1.25	300	20/100/150
WG5050X-X/223-233MHz	223-233	0.40	23.0	1.20	300	20/100/150
WG5050X-X/225-270MHz	225-270	0.60	19.0	1.25	300	20/100/150
WG5050X-X/230-240MHz	230-240	0.40	23.0	1.20	300	20/100/150
WG5050X-X/235-255MHz	235-255	0.40	20.0	1.25	300	20/100/150
WG5050X-X/260-270MHz	260-270	0.30	23.0	1.20	300	20/100/150
WG5050X-X/260-330MHz	260-330	0.40	20.0	1.25	300	20/100/150

**If the frequency range you need is not covered in the form.
Please contact us for details.**