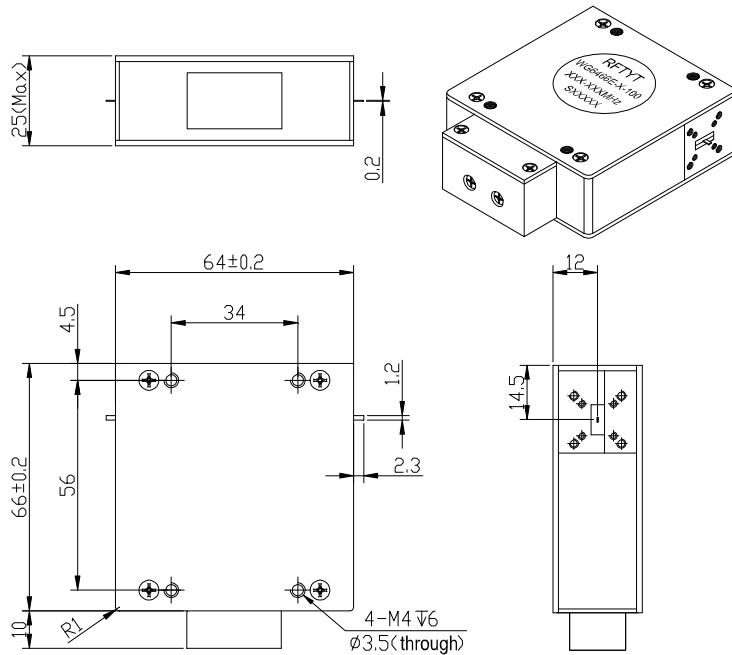


100 to 200MHz Drop in Isolator

WG6466E Drop-In Type

Outline Drawing (mm):



Features:

- ◇ Good temperature stability
- ◇ Withstand high power
- ◇ RoHS compliant
- ◇ Weight : ≈ 325 g

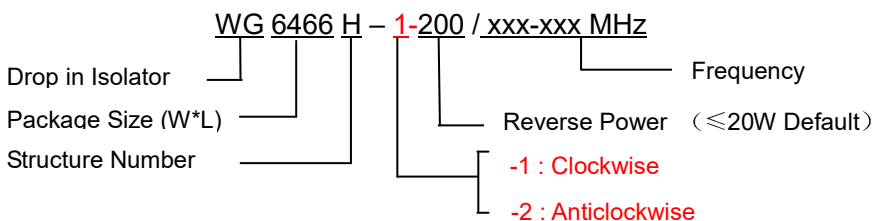
Material list:

- ◇ Shell: Steel
Coating: Bright Nickel
- ◇ Inner conductor: Brass
Coating: Silver

Application:

- ◇ Protect the power amplifier and
Installed at the end of RF power
amplifier
- ◇ Transceiver common antenna
- ◇ Medical, Communication, Security .
VHF.

Order Examples :



Basic Specifications :

Impedance	50 Ω
Size(mm)	64.0*66.0*24.0
Operating Temp	-10~+60 $^{\circ}$ C
Storage temperature	-30~+70 $^{\circ}$ C



Specifications:

Model No. (X=1: →Clockwise) (X=2: ←Anticlockwise)	Freq. Range MHz	IL. dB (max)	Isolation dB (min)	VSWR	Forward Power CW	Reverse Power W	Notes
WG6466E-X/100-105MHz	100-105	0.8	18.0	1.30	300	20/100	
WG6466E-X/105-115MHz	105-115	0.8	18.0	1.30	300	20/100	
WG6466E-X/130-150MHz	130-150	0.6	20.0	1.25	300	20/100	
WG6466E-X/140-160MHz	140-160	0.6	20.0	1.25	300	20/100	
WG6466E-X/150-170MHz	150-170	0.5	20.0	1.25	300	20/100	
WG6466E-X/160-190MHz	160-190	0.7	18.0	1.30	300	20/100	
WG6466E-X/170-200MHz	170-200	0.7	18.0	1.30	300	20/100	

**If the frequency range you need is not covered in the form.
Please contact us for details.**