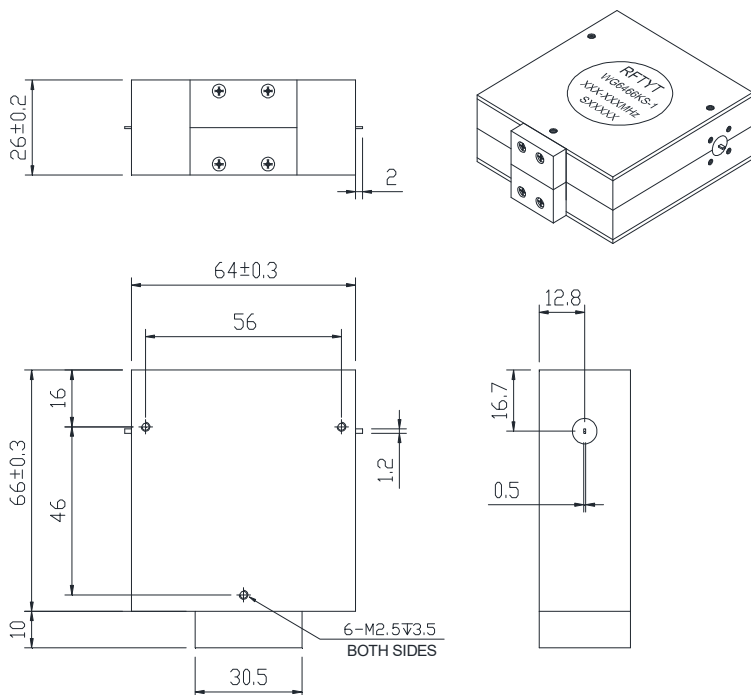
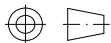


1.0 to 2.0GHz Drop in Isolator

WG6466K Drop-In Type

Outline Drawing (mm):



Features:

- ◇ Good temperature stability
- ◇ Withstand high power
- ◇ RoHS compliant
- ◇ Weight : ≈ 325 g

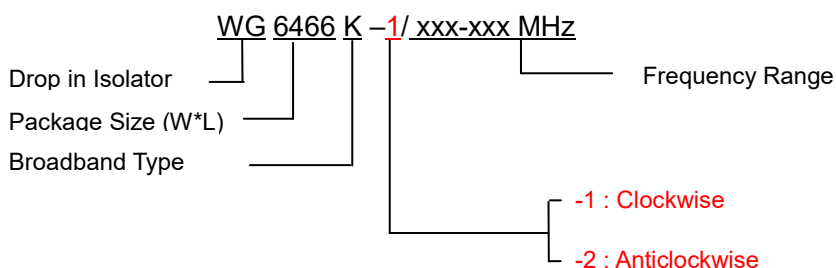
Material list:

- ◇ Shell: Steel
Coating: Bright Nickel
- ◇ Inner conductor: Brass
Coating: Silver

Application:

- ◇ Protect the power amplifier and
Installed at the end of RF power
amplifier
- ◇ Transceiver common antenna
- ◇ GSM1800/CDMA/TD-SCDMA/WCD
MA/EGSM/Wimax/TD-LTE/AMPS/S
MR 5G and other communication
systems

Order Examples :



Basic Specifications :

| | |
|---------------------|----------------------|
| Impedance | 50 Ω |
| Size(mm) | 64.0*66.0*26.0 |
| Operating Temp | -10~+60 $^{\circ}$ C |
| Storage temperature | -50~+90 $^{\circ}$ C |

Specifications:

| Model No. (X=1: →Clockwise) (X=2: ←Anticlockwise) | Freq. Range MHz | IL. dB (max) | Isolation dB (min) | VSWR | Forward Power CW | Reverse Power W |
|---|--------------------|--------------------|-----------------------|------|------------------------|-----------------------|
| WG6466K-X/1.0-2.0GHz | 1.0-2.0 | 0.70 | 17.0 | 1.40 | 100 | 20/100 |

**If the frequency range you need is not covered in the form.
Please contact us for details.**