

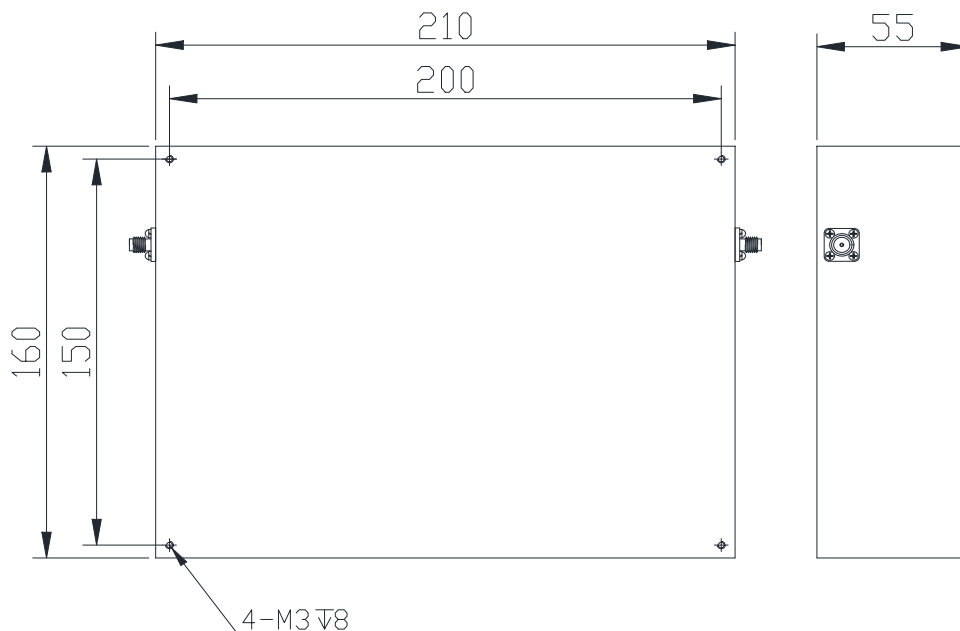
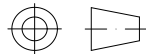


Band Stop Filter

Features and Electrical specifications:

Model	BSF-400M600A-S
Rejection band	400-600MHz
Pass band	DC~390MHz & 480~1500MHz
Insertion Loss	≤2.0dB
Rejection	≥60dB min@DC-800MHz
VSWR	2.0 Max
Rated Power	100 W
Impedance	50 Ω
Connector Type	SMA-F
Dimension	210.0x160.0x55.0mm
Surface Finishing	Black Painting
Operating Temperature	Ordinary temperature
Storage Temperature	-55 ~ +85°C

Outline Drawing (Unit: mm):



RFTYT Technology Co., LTD.

<http://www.rftyt.com>

E-mail : jackson@rftyt.com zqc7708@rftyt.com

TEL: +86-13088268828 FAX: +86-816-2846565

218# Wenwu Middle Road, Jinkai District, Mianyang, Sichuan Province China

Ready For Tackling Your Trouble