

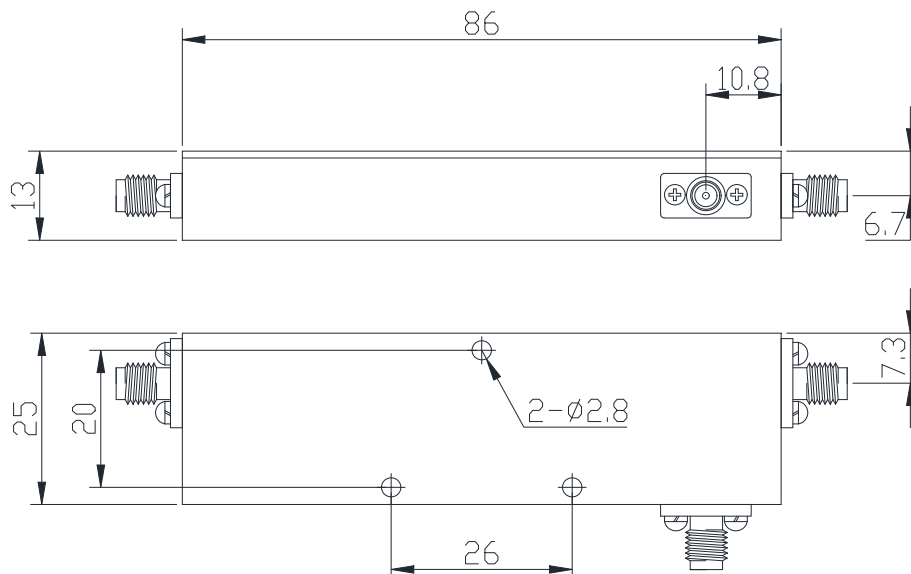
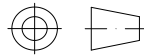


Directional Coupler

Features and Electrical specifications:

Model	PD06-F2586-S/0.698-2.2GHz
Frequency Range	0.698-2.2 GHz
Insertion Loss	$\leq 0.4\text{dB}$
Nominal Coupling	$6 \pm 1\text{dB}$
Coupling Sensitivity	$\leq \pm 0.3\text{dB}$
Directivity	$\geq 20\text{dB}$
VSWR	1.2 Max
Rated Power	50 W
Impedance	50 Ω
Connector Type	SMA-F
Dimension	86x25x13 mm
Surface Finishing	Grey Painting
Operating Temperature	-55 ~ +85°C
ROHS Compliant	Yes

Outline Drawing (Unit: mm):



RFTYT Technology Co., LTD.

<http://www.rftyt.com>

E-mail : jackson@rftyt.com zqc7708@rftyt.com

TEL: +86-13088268828 FAX: +86-816-2846565

218# Wenwu Middle Road, Jinkai District, Mianyang, Sichuan Province China

Ready For Tackling Your Trouble