

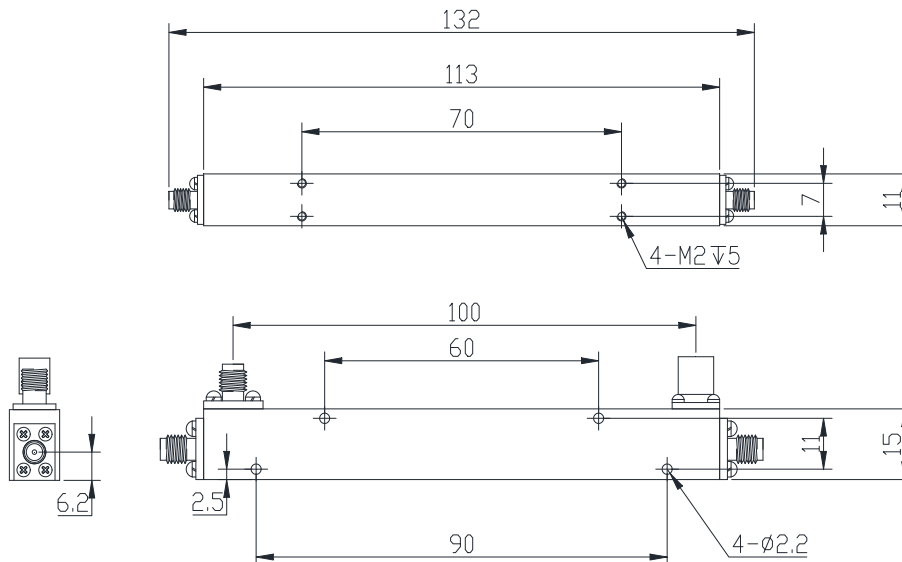
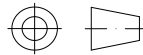


Directional Coupler

Features and Electrical specifications:

Model	CP10-F1511-S/0.5-6GHz
Frequency Range	0.5~6GHz
Insertion Loss	$\leq \pm 0.7\text{dB}$ (Excluding 0.45dB coupling loss)
Nominal Coupling	$10 \pm 1\text{dB}$
Coupling Sensitivity	$\leq \pm 0.7\text{dB}$
Directivity	$\geq 18\text{dB}$
VSWR	1.20 Max
Rated Power	50W
Impedance	50Ω
Connector Type	SMA-F
Dimension	113x15x11 mm
Surface Finishing	Grey Painting
Operating Temperature	$-55 \sim +85^\circ\text{C}$
ROHS Compliant	Yes

Outline Drawing (Unit: mm):



RFTYT Technology Co., LTD.

<http://www.rftyt.com>

E-mail : jackson@rftyt.com zqc7708@rftyt.com

TEL: +86-13088268828 FAX: +86-816-2846565

218# Wenwu Middle Road, Jinkai District, Mianyang, Sichuan Province China

Ready For Tackling Your Trouble