

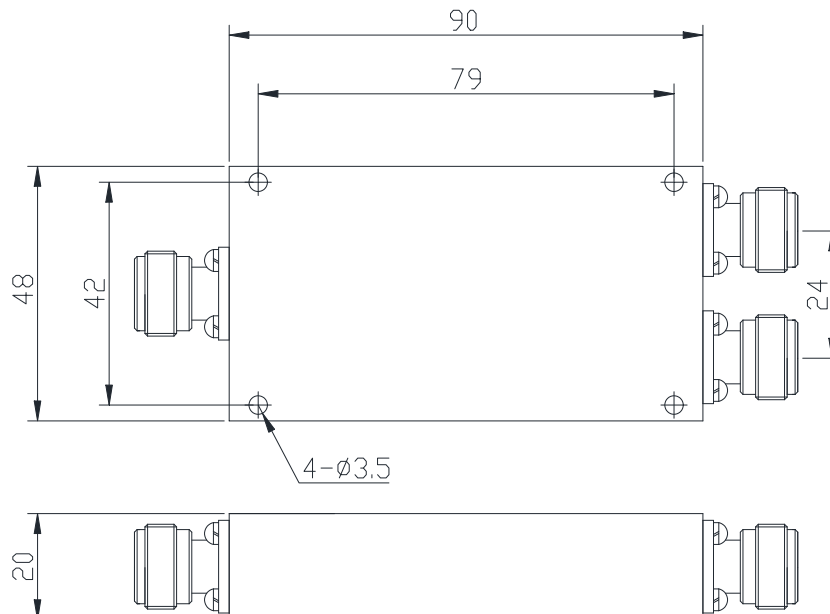


2 Way Power Divider

Features and Electrical specifications:

Model	PD02-F4890-N/134-3700MHz	
Frequency Range	134-3700 MHz	
Insertion Loss	≤2.0dB (Excluding 3.0dB separation loss)	
Isolation	18 dB Min	
VSWR	Input: 1.3 Max	Output: 1.3 Max
Amplitude Unbalance	±0.3 dB	
Phase Unbalance	± 3°	
Rated Power	Forward Power: 20 W	Reverse Power: 2 W
Impedance	50 Ω	
Connector Type	N-F	
Dimension	90.0X48.0X20.0 mm	
Surface Finishing	Black Painting	
Operating Temperature	-45 ~ +75°C	
ROHS Compliant	Yes	

Outline Drawing (Unit: mm):



RFTYT Technology Co., LTD.

<http://www.rfyt.com>

E-mail : jackson@rfyt.com zqc7708@rfyt.com

TEL: +86-13088268828 FAX: +86-816-2846565

218# Wenwu Middle Road, Jinkai District, Mianyang, Sichuan Province China

Ready For Tackling Your Trouble