

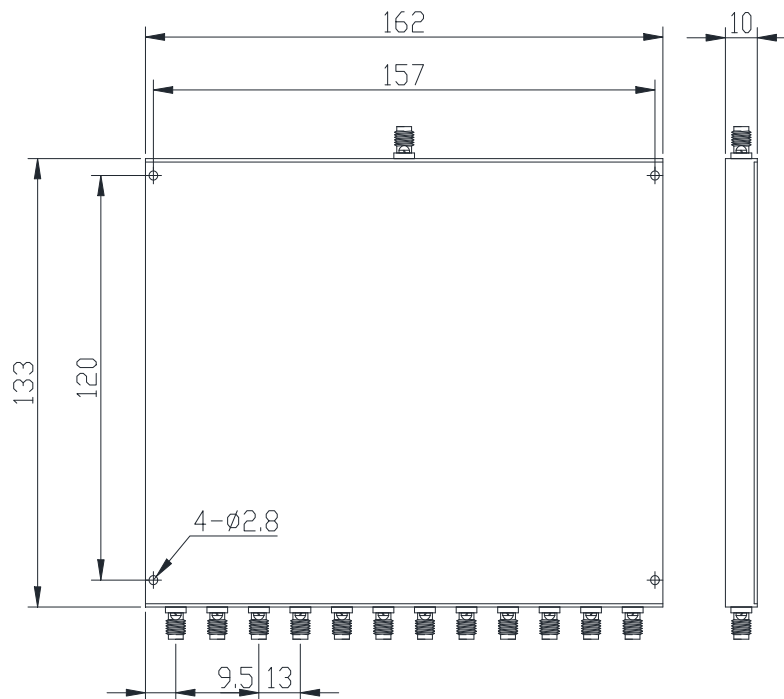
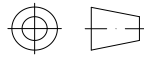


# 12 Way Power Divider

## Features and Electrical specifications:

Model	PD12-F1613-S/500-6000MHz	
Frequency Range	500-6000 MHz	
Insertion Loss	≤3.0dB	
Isolation	16 dB Min	
VSWR	Input: 1.80 Max	Output: 1.60 Max
Amplitude Unbalance	±0.8 dB	
Phase Unbalance	± 8°	
Rated Power	Forward Power: 20 W	Reverse Power: 1 W
Impedance	50 Ω	
Connector Type	SMA-F	
Dimension	162.0X133.0X10.0 mm	
Surface Finishing	Grey Painting	
Operating Temperature	-45 ~ +85°C	
ROHS Compliant	Yes	

Outline Drawing (Unit: mm):



**RFTYT Technology Co., LTD.**

<http://www.rftyt.com>

E-mail : [jackson@rftyt.com](mailto:jackson@rftyt.com)      [zqc7708@rftyt.com](mailto:zqc7708@rftyt.com)

TEL: +86-13088268828      FAX: +86-816-2846565

218# Wenwu Middle Road, Jinkai District, Mianyang, Sichuan Province China

**Ready For Tackling Your Trouble**