

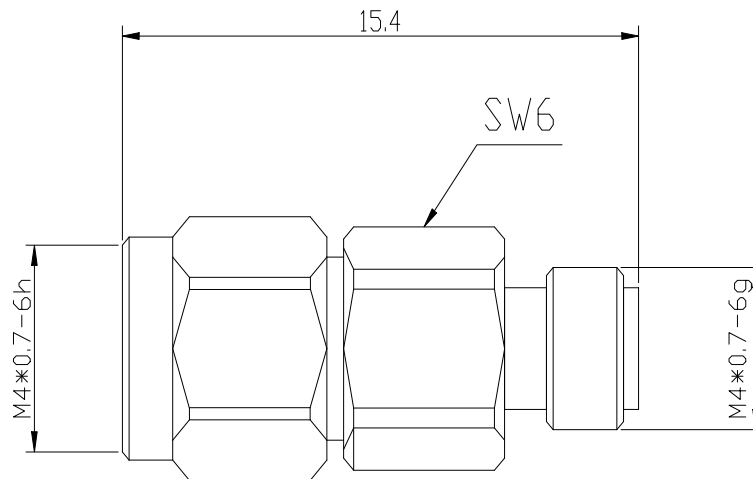


Coaxial Fixed Attenuator

Features and Electrical specifications:

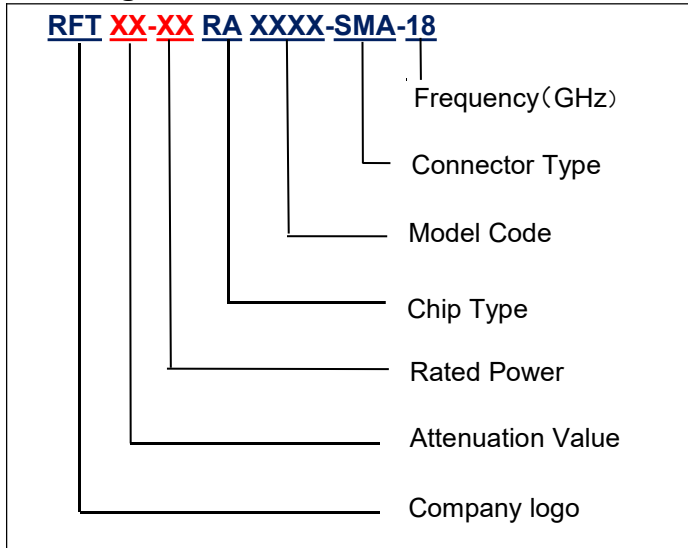
Model	RFTXX-01RA0648-1.0-110 (XX=Attenuator Value)		
Frequency Range	DC~110.0GHz		
VSWR	1.60 Max		
Power	1 W		
Impedance	50 Ω		
Attenuation	3dB	6dB	10dB
Attenuation Tolerance	-1.0 dB /+2.0 dB	-1.0 dB /+2.0 dB	-1.0 dB /+2.0 dB
Connector	1.0-J(M)/1.0-K(F)		
Dimension	$\Phi 6.0 \times 15.4$ mm		
Operating Temperature	-55 ~ +125°C (See de Power De-rating)		
Weight	About 5 g		
ROHS Compliant	Yes		

Outline Drawing (Unit: mm/inch):





Naming rules:



Power De-rating:



Use attention:

- 1、Dimensions Tolerance $\pm 3\%$;
- 2、If necessary, the product shall be air-cooled for auxiliary heat dissipation;
- 3、Custom designs available of other special coaxial fixed attenuator;
- 4、Pay attention to the direction of the product during use and strictly prohibit reverse connection.