

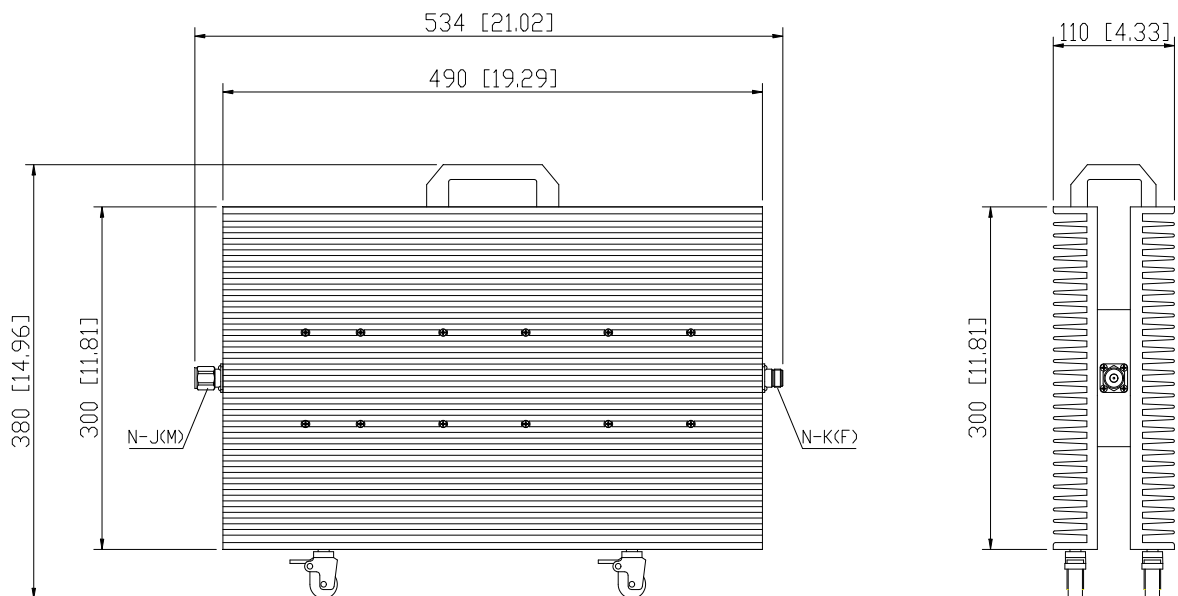


## Coaxial Fixed Attenuator

### Features and Electrical specifications:

Model	RFTXX-1500FA3049-N-1 (XX=Attenuator Value)	
Frequency Range	DC~1.0GHz	
VSWR	1.35Max	
Power	1500 W	
Impedance	50 Ω	
Attenuation	20dB	30、40、50、60dB
Attenuation Tolerance	±1.3dB	±1.8dB
Connector	N-J(M)/ N-K(F)	
Dimension	110×380x534mm	
Operating Temperature	-55 ~ +125°C (See de Power De-rating)	
Weight	About 17.5 Kg	
ROHS Compliant	Yes	

### Outline Drawing (Unit: mm/inch):



**RFTYT Technology Co., LTD.**

<http://www.rfyt.com>

E-mail: Jackson@rfyt.com      zqc7708@rfyt.com

TEL: +86-13088268828      FAX: +86-816-2846565

218# Wenwu Middle Road, Jinkai District, Mianyang, Sichuan Province China

**Ready For Tackling Your Trouble**



**Naming rules:**



**Power De-rating:**



**Use attention:**

- 1、 Dimensions Tolerance  $\pm 3\%$ ;
- 2、 If necessary, the product shall be air-cooled for auxiliary heat dissipation ;
- 3、 Custom designs available of other special coaxial fixed attenuator ;
- 4、 Pay attention to the direction of the product during use and strictly prohibit reverse connection.