

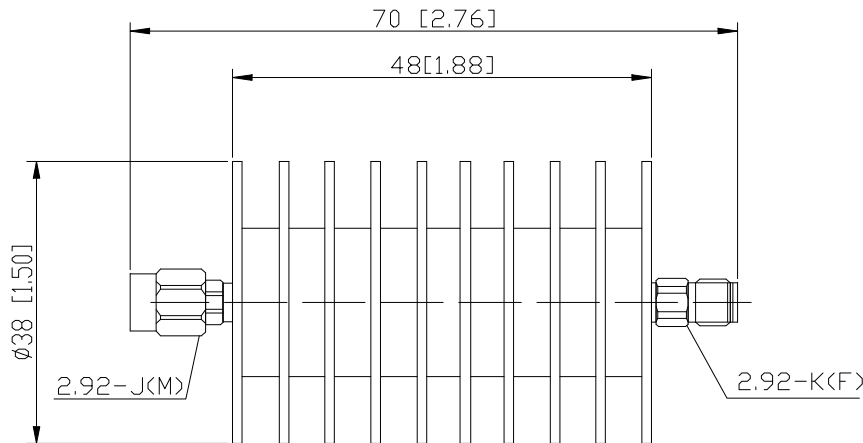


## Coaxial Fixed Attenuator

### Features and Electrical specifications:

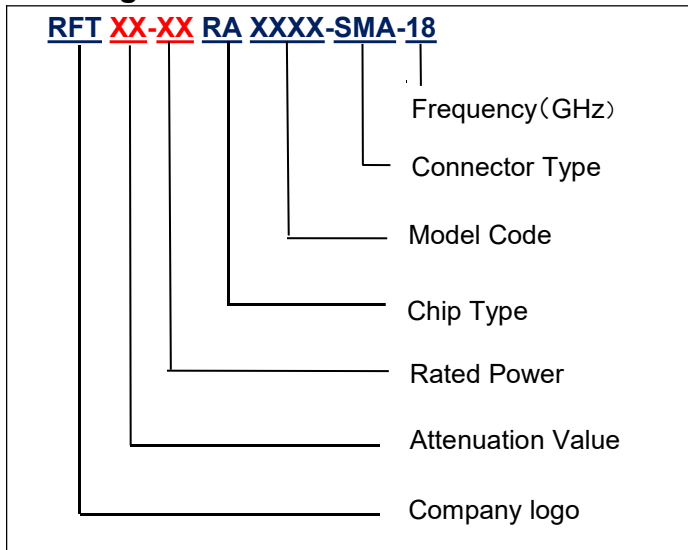
Model	RFTXX-20RA3848-2.92-40 (XX=Attenuator Value)		
Frequency Range	DC~40.0GHz		
VSWR	1.30 Max		
Power	20 W		
Impedance	50 Ω		
Attenuation	3-10dB	15dB	20dB
Attenuation Tolerance	±1.5dB	±1.5dB	+2.8 -1.8 dB
Connector	2.92-J(M)/2.92-K(F)		
Dimension	Φ38.0×70mm		
Operating Temperature	-55 ~ +125°C (See de Power De-rating)		
Weight	About 75 g		
ROHS Compliant	Yes		

### Outline Drawing (Unit: mm/inch):

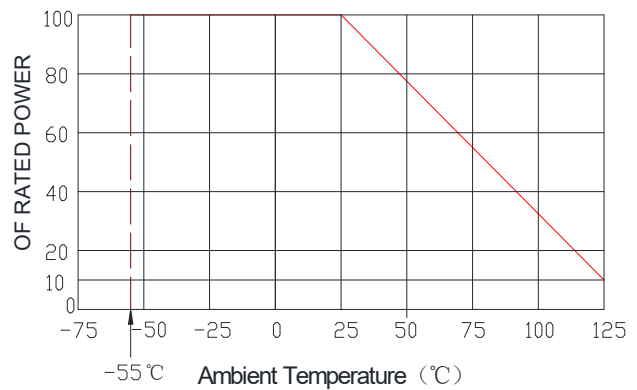




**Naming rules:**



**Power De-rating:**



**Use attention:**

- 1、 Dimensions Tolerance  $\pm 3\%$ ;
- 2、 If necessary, the product shall be air-cooled for auxiliary heat dissipation ;
- 3、 Custom designs available of other special coaxial fixed attenuator ;
- 4、 Pay attention to the direction of the product during use and strictly prohibit reverse connection.