

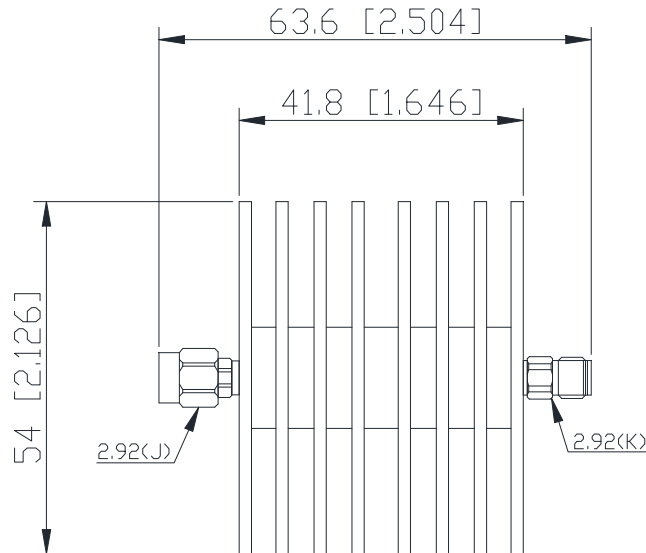


Coaxial Fixed Attenuator

Features and Electrical specifications:

Model	RFTXX-30RA5442-2.92-40 (XX=Attenuator Value)		
Frequency Range	DC~40.0GHz		
VSWR	1.35Max		
Power	30 W		
Impedance	50 Ω		
Attenuation	20dB	30dB	40dB
Attenuation Tolerance	-1.5dB/+2.0dB	-1.5dB/+2.0dB	-1.5dB/+2.0dB
Connector	2.92-J(M)/2.92-K(F)		
Dimension	Φ54.0×63.6mm		
Operating Temperature	-55 ~ +125°C (See de Power De-rating)		
Weight	About 65 g		
ROHS Compliant	Yes		

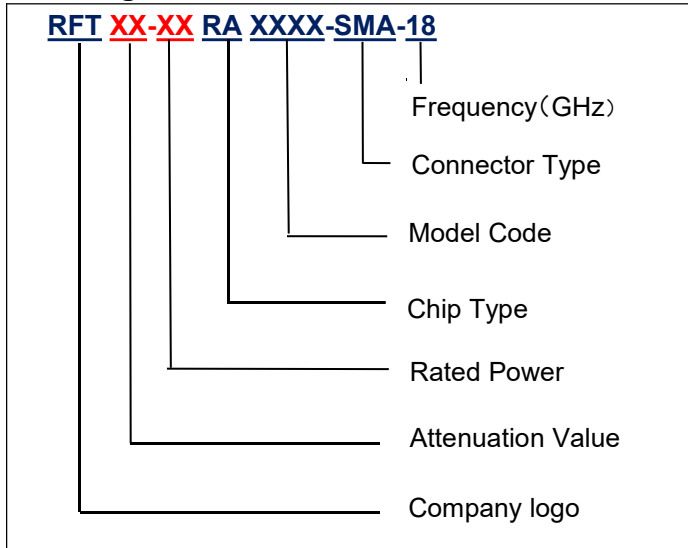
Outline Drawing (Unit: mm/inch):



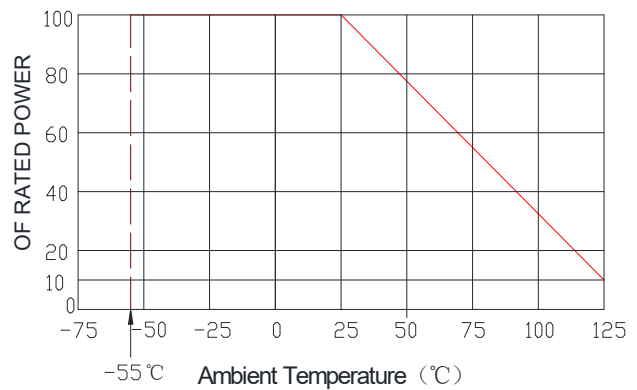
The connector could be changed to SMA-M to SMA-M or SMA-F to SMA-F



Naming rules:



Power De-rating:



Use attention:

- 1、Dimensions Tolerance $\pm 3\%$;
- 2、If necessary, the product shall be air-cooled for auxiliary heat dissipation;
- 3、Custom designs available of other special coaxial fixed attenuator;
- 4、Pay attention to the direction of the product during use and strictly prohibit reverse connection.