

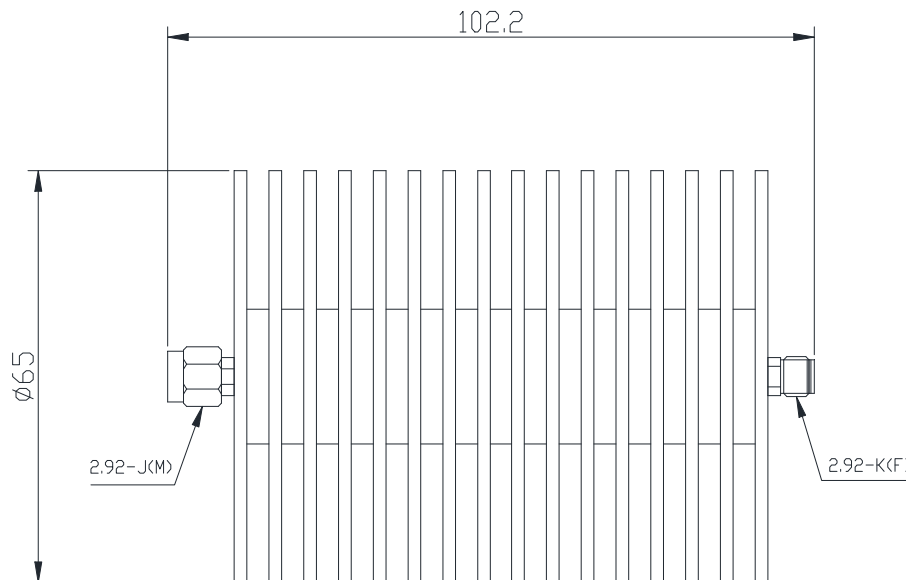
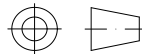


Coaxial Fixed Attenuator

Features and Electrical specifications:

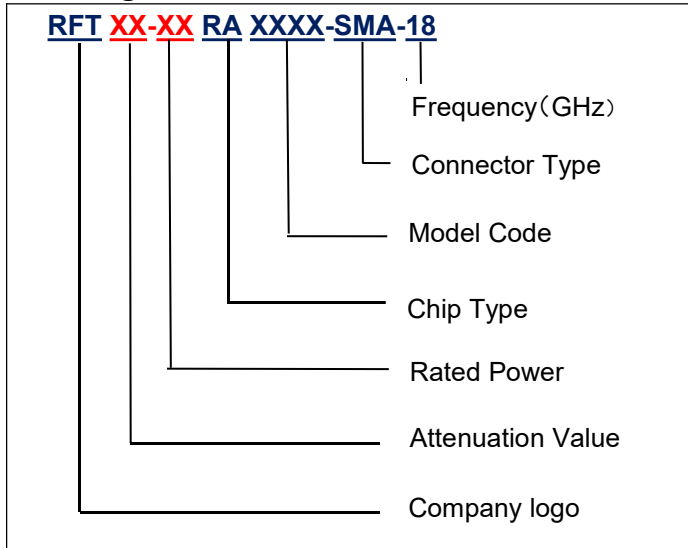
| | | | |
|-----------------------|--|--------|--------|
| Model | RFTXX-50RA6510-2.92-40 (XX=Attenuator Value) | | |
| Frequency Range | DC~40.0GHz | | |
| VSWR | 1.50Max | | |
| Power | 50 W | | |
| Impedance | 50 Ω | | |
| Attenuation | 20dB | 30dB | 40dB |
| Attenuation Tolerance | ±3.0dB | ±3.0dB | ±3.0dB |
| Connector | 2.92-J(M)/2.92-K(F) | | |
| Dimension | Φ65.0×102.2mm | | |
| Operating Temperature | -55 ~ +125°C (See de Power De-rating) | | |
| Weight | About 258 g | | |
| ROHS Compliant | Yes | | |

Outline Drawing (Unit: mm/inch):

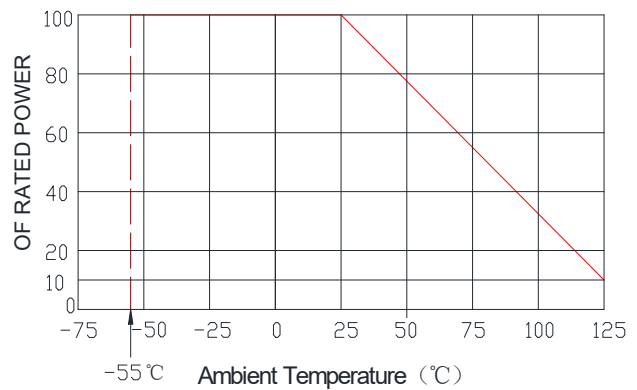




Naming rules:



Power De-rating:



Use attention:

- 1、 Dimensions Tolerance $\pm 3\%$;
- 2、 If necessary, the product shall be air-cooled for auxiliary heat dissipation ;
- 3、 Custom designs available of other special coaxial fixed attenuator ;
- 4、 Pay attention to the direction of the product during use and strictly prohibit reverse connection.