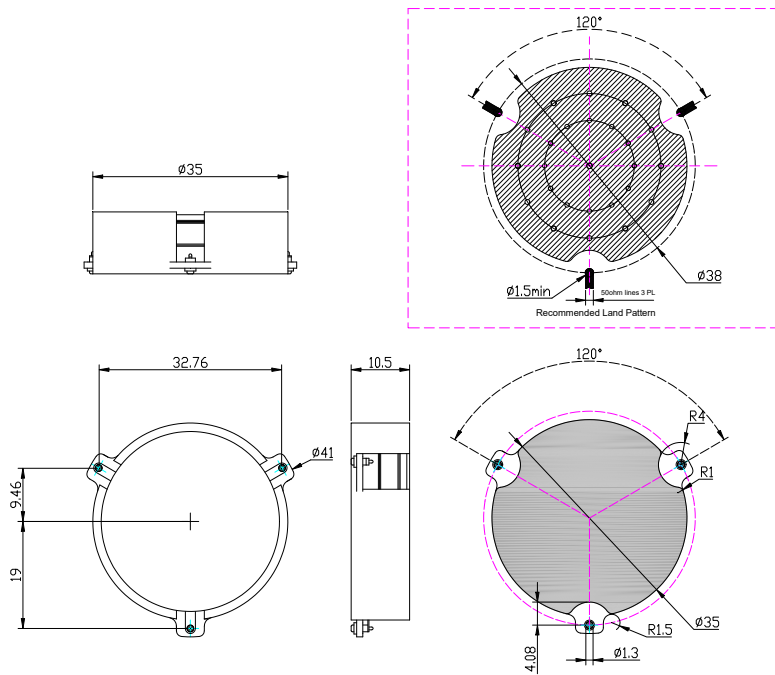
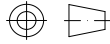


300 to 1000MHz Surface Mount Circulator

SMTH-D35 SMT

Outline Drawing (mm):



Features:

- ◇ Good temperature stability
- ◇ Withstand high power
- ◇ RoHS compliant
- ◇ Weight : \approx 55g

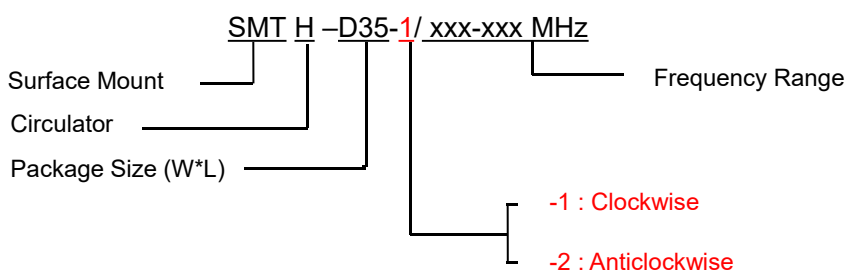
Material list:

- ◇ Shell: industrial pure iron silvered
- ◇ Inner conductor: silver plated brass

Application:

- ◇ Rf amplifier final stage, protect the amplifier
- ◇ Common transceiver antenna
- ◇ Digital communication
- ◇ Satellite communication
- ◇ Mobile communication

Order Examples:



Basic Specifications:

Impedance	50 Ω
Size(mm)	Φ 35.0*10.5
Operating Temp	-40~+85 $^{\circ}$ C
Storage temperature	-50~+90 $^{\circ}$ C
ConnectorType	SMT



Specifications:

Model No. (X=1: →Clockwise) (X=2: ←Anticlockwise)	Freq. Range MHz	IL. dB (max)	Isolation dB (min)	VSWR	Power CW
SMTH-D35-X/300-320MHz	300-320	0.60	20.0	1.25	300
SMTH-D35-X/300-350MHz	300-350	0.80	18.0	1.35	300
SMTH-D35-X/309-339MHz	309-339	0.50	20.0	1.25	300
SMTH-D35X-X/310-340MHz	310-340	0.50	20.0	1.25	300
SMTH-D35-X/320-340MHz	320-340	0.45	20.0	1.25	300
SMTH-D35-X/350-370MHz	350-370	0.40	20.0	1.25	300
SMTH-D35-X/350-400MHz	350-400	0.50	19.0	1.25	300
SMTH-D35-X/361-366MHz	361-366	0.30	23.0	1.20	300
SMTH-D35-X/370-420MHz	370-420	0.50	19.0	1.25	300
SMTH-D35-X/380-410MHz	380-410	0.40	20.0	1.25	300
SMTH-D35-X/380-460MHz	380-460	0.50	18.0	1.30	300
SMTH-D35-X/390-410MHz	390-410	0.30	23.0	1.20	300
SMTH-D35-X/400-410MHz	400-410	0.30	23.0	1.20	300
SMTH-D35-X/400-440MHz	400-440	0.40	20.0	1.25	300
SMTH-D35-X/400-450MHz	400-450	0.40	20.0	1.25	300
SMTH-D35-X/400-470MHz	400-470	0.40	20.0	1.25	300
SMTH-D35-X/400-500MHz	400-500	0.50	19.0	1.25	300
SMTH-D35-X/410-460MHz	410-460	0.40	20.0	1.25	300
SMTH-D35-X/413-419MHz	413-419	0.30	25.0	1.15	300
SMTH-D35-X/419-425MHz	419-425	0.30	25.0	1.15	300
SMTH-D35-X/420-450MHz	420-450	0.40	20.0	1.25	300
SMTH-D35-X/420-480MHz	420-480	0.40	20.0	1.25	300
SMTH-D35-X/425-475MHz	425-475	0.40	20.0	1.25	300
SMTH-D35-X/429-439MHz	429-439	0.30	25.0	1.15	300
SMTH-D35-X/430-440MHz	430-440	0.30	23.0	1.20	300



Model No. (X=1: →Clockwise) (X=2: ←Anticlockwise)	Freq. Range MHz	IL. dB (max)	Isolation dB (min)	VSWR	Power CW
SMTH-D35-X/430-460MHz	430-460	0.40	20.0	1.25	300
SMTH-D35-X/430-470MHz	430-470	0.40	20.0	1.25	300
SMTH-D35-X/433-457MHz	433-457	0.30	23.0	1.20	300
SMTH-D35-X/435-437MHz	435-437	0.30	23.0	1.20	300
SMTH-D35-X/440-470MHz	440-470	0.30	23.0	1.20	300
SMTH-D35-X/447-499MHz	447-499	0.30	23.0	1.20	300
SMTH-D35-X/450-456MHz	450-456	0.30	25.0	1.15	300
SMTH-D35-X/450-500MHz	450-500	0.40	20.0	1.25	300
SMTH-D35-X/450-520MHz	450-520	0.40	20.0	1.25	300
SMTH-D35-X/450-550MHz	450-550	0.40	20.0	1.25	300
SMTH-D35-X/455-465MHz	455-465	0.30	25.0	1.15	300
SMTH-D35-X/459-486MHz	459-486	0.30	23.0	1.20	300
SMTH-D35-X/470-490MHz	470-490	0.30	20.0	1.20	300
SMTH-D35-X/470-530MHz	470-530	0.40	20.0	1.20	300
SMTH-D35-X/470-570MHz	470-570	0.40	20.0	1.25	300
SMTH-D35-X/470-610MHz	470-610	0.50	18.0	1.30	300
SMTH-D35-X/475-525MHz	475-525	0.30	23.0	1.20	300
SMTH-D35-X/495-516MHz	495-516	0.30	23.0	1.20	300
SMTH-D35-X/500-600MHz	500-600	0.40	20.0	1.20	300
SMTH-D35-X/500-700MHz	500-700	0.70	17.5	1.35	300
SMTH-D35-X/570-670MHz	570-670	0.30	23.0	1.20	300
SMTH-D35-X/580-720MHz	580-720	0.45	20.0	1.25	300
SMTH-D35-X/600-700MHz	600-700	0.40	20.0	1.25	300
SMTH-D35-X/670-770MHz	670-770	0.30	23.0	1.20	300
SMTH-D35-X/690-860MHz	690-860	0.40	20.0	1.20	300
SMTH-D35-X/700-862MHz	700-862	0.40	20.0	1.25	300
SMTH-D35-X/700-900MHz	700-900	0.50	18.0	1.30	300



Model No. (X=1: →Clockwise) (X=2: ←Anticlockwise)	Freq. Range MHz	IL. dB (max)	Isolation dB (min)	VSWR	Power CW
SMTH-D35-X/703-862MHz	703-862	0.40	20.0	1.25	300
SMTH-D35-X/770-860MHz	770-860	0.30	23.0	1.20	300
SMTH-D35-X/600-800MHz	600-800	0.50	18.0	1.30	300
SMTH-D35-X/700-1000MHz	700-1000	0.60	16.0	1.40	300
SMTH-D35-X/750-950MHz	750-950	0.40	20.0	1.25	300
SMTH-D35-X/800-1000MHz	800-1000	0.40	20.0	1.25	300
SMTH-D35-X/854-921MHz	854-921	0.30	20.0	1.20	300
SMTH-D35-X/860-872MHz	860-872	0.25	25.0	1.15	300
SMTH-D35-X/862-960MHz	862-960	0.30	25.0	1.20	300
SMTH-D35-X/900-930MHz	900-930	0.25	25.0	1.15	300
SMTH-D35-X/900-1000MHz	900-1000	0.30	23.0	1.20	300

Instructions:

- 1, When the surface paste circulator adopts reflow welding process, the maximum temperature does not exceed 260 degrees;
- 2, The circulator only provides through power, indicating that the transmission to the antenna and the antenna to the receiving are through power;
- 3, Only some common frequencies in the table, can be produced according to the user's requirements;
- 4, If you do not find what you are looking for, please contact us!